

**PSU.0010.0**

**150W Single Output Switching Power Supply**



- **Features :**
  - Universal AC input / Full range (up to 295VAC)
  - Built-in active PFC function
  - High efficiency up to 91%
  - Protections: Short circuit / Over current / Over voltage / Over temperature
  - Cooling by free air convection
  - OCP point adjustable through output cable or internal potentiometer
  - IP 65 / IP67 design for indoor or outdoor installations
  - Suitable for LED lighting and moving sign applications
  - Compliance to worldwide safety regulations for lighting
  - 3 years warranty



**SPECIFICATION**

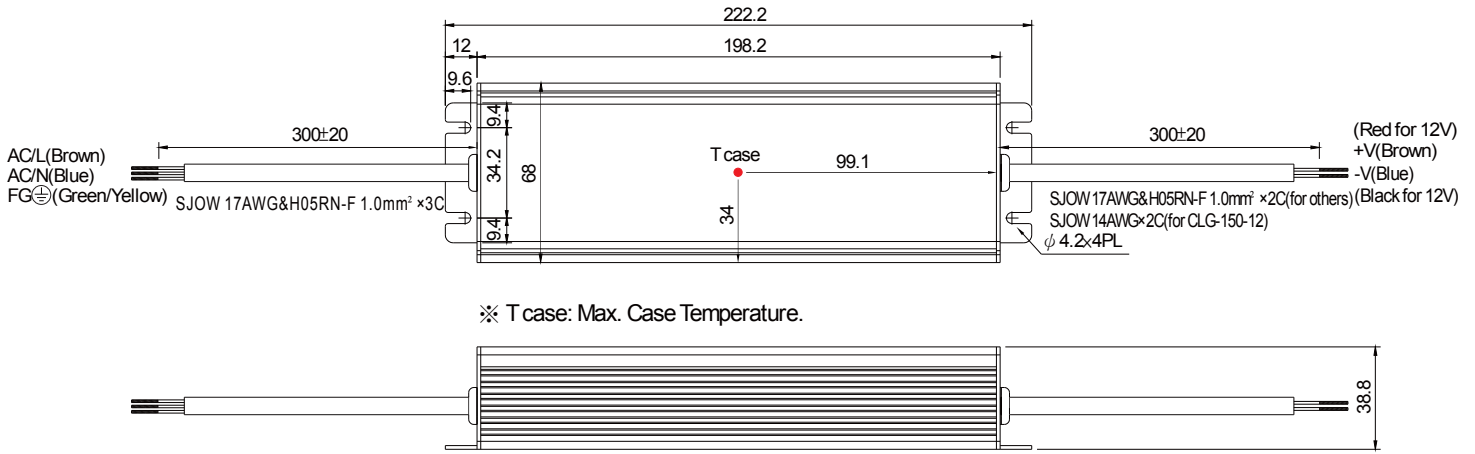
<b>OUTPUT</b>	<b>DC VOLTAGE</b>	24V
	<b>CONSTANT CURRENT REGION</b> Note.4	18 ~ 24V
	<b>RATED CURRENT</b>	6.3A
	<b>RATED POWER</b>	151.2W
	<b>RIPPLE &amp; NOISE (max.)</b> Note.2	150mVp-p
	<b>VOLTAGE ADJ. RANGE</b> Note.6	22 ~ 27V
	<b>VOLTAGE TOLERANCE</b> Note.3	±1.0%
	<b>LINE REGULATION</b>	±0.5%
	<b>LOAD REGULATION</b>	±0.5%
	<b>SETUP, RISE TIME</b>	3000ms, 80ms/115VAC    500ms, 80ms/230VAC at full load
	<b>HOLD UP TIME (Typ.)</b>	50ms / 230VAC    16ms / 115VAC at full load
<b>INPUT</b>	<b>VOLTAGE RANGE</b> Note.5	90 ~ 295VAC    127 ~ 417VDC
	<b>FREQUENCY RANGE</b>	47 ~ 63Hz
	<b>POWER FACTOR (Typ.)</b>	PF>0.98/115VAC, PF>0.95/230VAC, PF>0.93/277VAC at full load (Please refer to "Power Factor Characteristic" curve)
	<b>TOTAL HARMONIC DISTORTION</b>	THD< 20% when output loading≥75% at 115VAC/230VAC input and output loading≥75% at 277VAC input
	<b>EFFICIENCY (Typ.)</b>	90%
	<b>AC CURRENT (Typ.)</b>	2A/ 115VAC    1A/ 230VAC    0.68A/ 277VAC
	<b>INRUSH CURRENT(max.)</b>	COLD START 65A (width=59µs measured at 50% Ipeak) at 230VAC
	<b>MAX. No. of PSUs on 16A CIRCUIT BREAKER</b>	3 units (circuit breaker of type B) / 5 units (circuit breaker of type C) at 230VAC
<b>LEAKAGE CURRENT</b>	<1mA/ 240VAC	
<b>PROTECTION</b>	<b>OVER CURRENT (Typ.)</b> Note.4	95 ~ 108% Protection type : Constant current limiting, recovers automatically after fault condition is removed
	<b>SHORT CIRCUIT</b>	Hiccup mode, recovers automatically after fault condition is removed
	<b>OVER VOLTAGE</b>	28 ~ 34V Protection type : Shut down and latch off o/p voltage, re-power on to recover
	<b>OVER TEMPERATURE</b>	Shut down o/p voltage, re-power on to recover
<b>ENVIRONMENT</b>	<b>WORKING TEMP.</b>	-30 ~ +70°C (Refer to "Derating Curve")
	<b>WORKING HUMIDITY</b>	20 ~ 95% RH non-condensing
	<b>STORAGE TEMP., HUMIDITY</b>	-40 ~ +80°C, 10 ~ 95% RH
	<b>TEMP. COEFFICIENT</b>	±0.03%/°C (0 ~ 50°C)
<b>SAFETY &amp; EMC</b>	<b>VIBRATION</b>	10 ~ 500Hz, 5G 12min./1cycle, period for 72min. each along X, Y, Z axes
	<b>SAFETY STANDARDS</b> Note.7	UL8750, CSA C22.2 No. 250.0-08, UL1012, CAN/CSA-C22.2 No. 107.1-01, UL879, CSA C22.2 No.207-M89, EN61347-1, EN61347-2-13 independent(except for CLG-150 C type), UL60950-1, TUV EN60950-1, GB19510.1, GB19510.14(for Blank & A type only), IP65 or IP67, J61347-1, J61347-2-13(except for CLG-150 C type) approved
	<b>WITHSTAND VOLTAGE</b>	I/P-O/P:3.75KVAC    I/P-FG:2KVAC    O/P-FG:0.5KVAC
	<b>ISOLATION RESISTANCE</b>	I/P-O/P, I/P-FG, O/P-FG:100M Ohms / 500VDC / 25°C / 70% RH
	<b>EMC EMISSION</b>	Compliance to EN55015, EN55032 Class B, EN61000-3-2 Class C (≥ 75% load) ; EN61000-3-3, GB17743 and GB17625.1
<b>OTHERS</b>	<b>EMC IMMUNITY</b>	Compliance to EN61000-4-2,3,4,5,6,8,11, EN61547, EN55024, light industry level (surge 4kV)
	<b>MTBF</b>	303.7K hrs min.    MIL-HDBK-217F (25°C)
	<b>DIMENSION</b>	222*68*38.8mm (L*W*H)(CLG-150-Blank/A/B)    229*68*38.8mm (L*W*H)(CLG-150-C)
	<b>PACKING</b>	1.0Kg; 12pcs/13Kg/0.58CUFT(CLG-150-Blank/A/B)    1Kg; 12pcs/13Kg/0.96CUFT(CLG-150-C)

**PSU.0010.0**

150W Single Output Switching Power Supply

**Mechanical Specification**

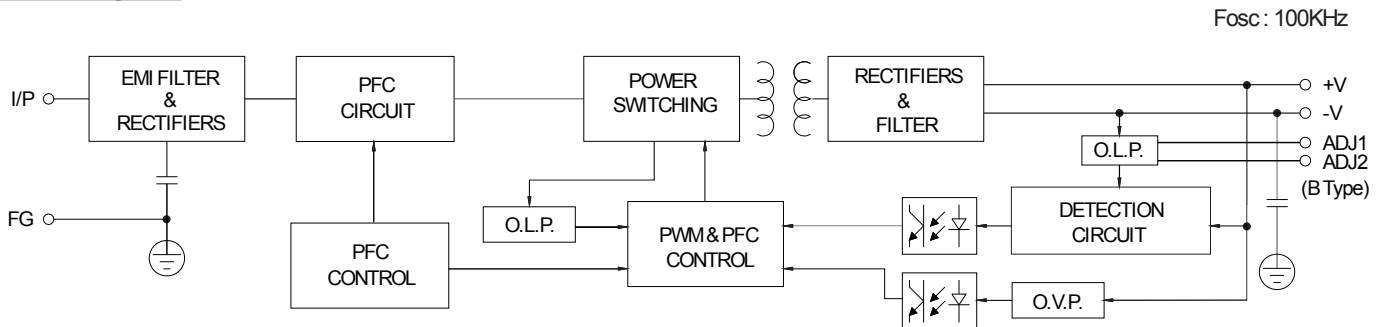
Unit:mm



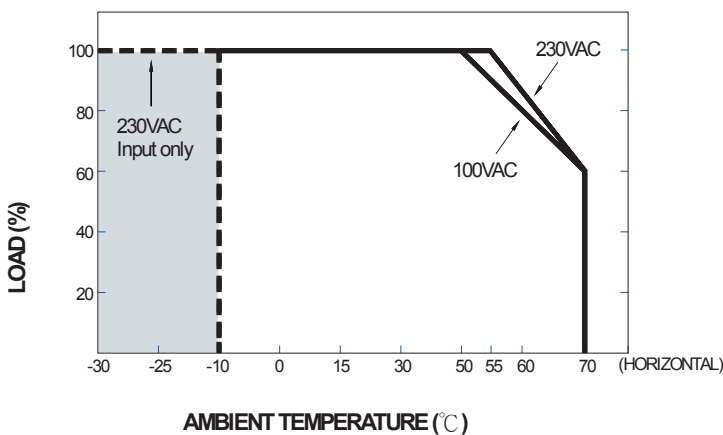
※ T case: Max. Case Temperature.

※ IP67 rated. Cable for I/O connection.

**Block Diagram**



**Derating Curve**



**Static Characteristics**

