

## Submittal

Project: \_\_\_\_\_ Data: \_\_\_\_\_  
 Product Type: \_\_\_\_\_ Product Code: \_\_\_\_\_  
 Ordering Info: \_\_\_\_\_



## Product Description

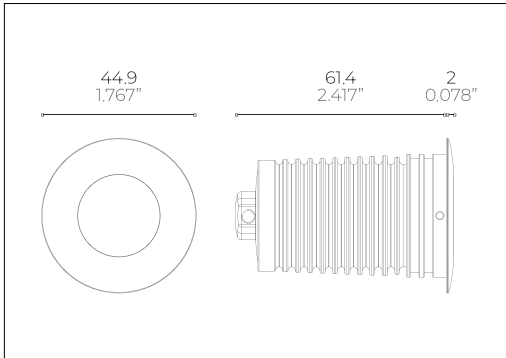
Professional fixed recessed lighting luminaire without visible screws, suitable for outdoor, indoor and underwater environments. Made of AISI 316L stainless steel, tempered glass screen and anti-glare louver.



## Light Source

Light Source	Power LED LM 80 COMPLIANT
Colour Temperature <sup>1</sup>	RGB
Power	4 W
Colour Rendering Index	> 90
Chromatic Selection	Mac Adam 2-Step
Light Source Efficiency	lm/W
Fixture Luminous Flux	100-145 lm
Central Beam Candle Power (CBCP)	_____
LED Type	_____

## Technical Drawing



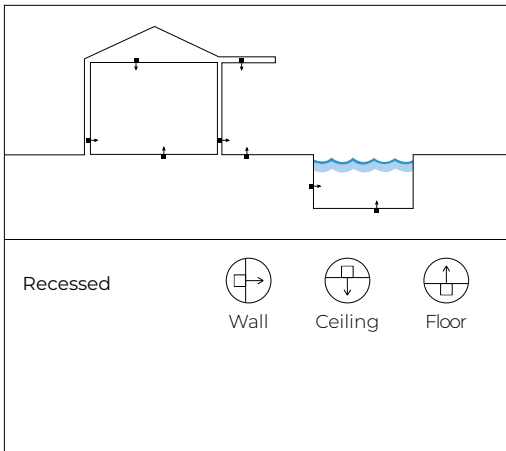
## Power Supply

Voltage	24 Vdc Constant Voltage
Dimming	PWM
Control Systems Compatibility	DALI; DMX
Driver	Remote

## Fixture

Materials	Stainless Steel AISI 316L
Body Finishes <sup>1</sup>	Satin Stainless Steel
Weight	260 g (0.57 lb)
Power Supply Cable	1m (3,28ft) - 2xAWG18 (Red;Black) + 3xAWG20 (R/b, G/b, B/b)
Optics <sup>1</sup>	Wide 45°
Diffusers	Satin; Transparent
Screens	_____

## Installation



## Temperature and Durability

LED Lifetime T <sub>80</sub> 25°C	> 50000 h (TM21 L80 B10 @50000 h)
Fixture Lifetime	> 50000 h
T <sub>80</sub> Performance	25°C (77°F)
T <sub>80</sub> Operative	-30 ÷ 50 °C (-22 ÷ 122 °F)
Body Temperature	< 90 °C (194 °F)
Surface Temperature	≤ 65 °C (149 °F)

## Installation

Electrical Insulation Class	III
IP Protection Degrees	IP66; IP68
Impact Resistance	IK10
Driveability	_____
Walkability	300 kg (660 lb)
Certifications	CE; UL listed
Normative	EN60598-1; EN60598-2 and its parts; UL 676; CSA C222 No.89-15; UL 2108; UL 1598/C250-08

**!** Note: contact the factory for custom CCT, optics, finishes and lengths



960°C

AQA STOP FLEX

A A+ A++

## Note:

- Power supplies, control&dimming devices and fixing kits must to be orderd separately. - Aldabra power supply consumption is equal to 15% of the fixture nominal power.  
 - Specifications are subject to change without notice. - Photometric data available at [www.aldabra.it](http://www.aldabra.it) - Aldabra, all rights reserved.

## Part Number

example: YOR.02.W90.S1.0



### Length & Power <sup>1</sup>

- YOR.02** Ø 44,9 x 61,4 mm - 4 W
- Ø 1.767" x 2.417" - 4 W

### Optical Features <sup>1</sup>

- W** Optics 43°
- S** Satin Diffuser
- T** Transparent Diffuser

### CCT <sup>1</sup>

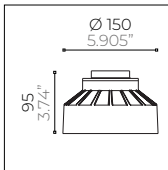
- 90** RGB

### Finishes <sup>1</sup>

- S1.0** Satin Stainless Steel

Notes: \_\_\_\_\_

## Recessing Box

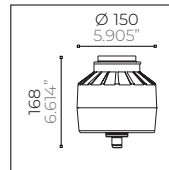


### Type A Draining Recessing Box



- CSF.0035.0**

Ø 150 x 95 mm  
Ø 5.905" x 3.74"

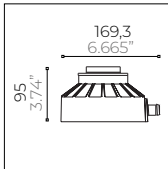


### Type B Recessing Box for IP68



- CSF.0036.0**

Ø 150 x 168 mm  
Ø 5.905" x 6.614"



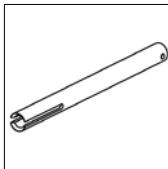
### Type C Recessing Box for IP68



- CSF.0037.0**

Ø 169,3 x 95 mm  
Ø 6.665" x 3.74"

## Installation Accessories



- ACC.0268.0**  
Closing tool for IP68  
housing box

## Generic Accessories



- ACC.0005.0**  
IP68 Waterproof connection  
box with gel  
4 channels - 3 poles

## General Informations:

Kindly note that atmospheric agents (such as lightnings, etc), electrostatics charges or disturbances on the installation not caused by Aldabra lighting fixtures and Led drivers indicated by Aldabra itself, may cause damages on the fixtures. It is necessary that the electrical installation where the LED lighting fittings and their power supply units and control gears are installed must be equipped with proper devices for the protection and suppression of transient phenomena (SPD, isolation transformer, etc...). Such devices must be coordinated with the other protections of the installation; on this theme, it's necessary to refer to the electrical installations norms which are in force in each country.