

STAR 120 Compact Monochromatic

COB LED 350-500 mA

ALDABRA
LUCE CONTEMPORANEA

Submittal

Project: _____ Data: _____
 Product Type: _____ Product Code: _____
 Ordering Info: _____



Product Description

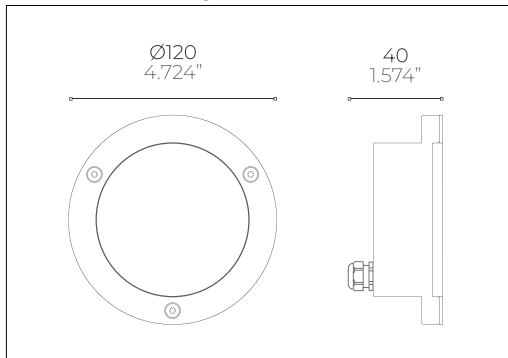
Professional fixed recessed luminaire suitable for indoor and outdoor applications. Designed for floor mounting and ideal for accent lighting. Made of aluminum, stainless steel and tempered glass with a satin stainless steel finish. Equipped with COB LEDs, offering narrow, medium and wide beam options.



Light Source

Light Source	COB LED
Colour Temperature ¹	3000K; 4000K
Power	13 - 18 W
Colour Rendering Index	> 90
Chromatic Selection	Mac Adam 3-Step
Light Source Efficiency	lm/W
Fixture Luminous Flux	lm
Central Beam Candle Power (CBCP)	_____
LED Type	_____

Technical Drawing



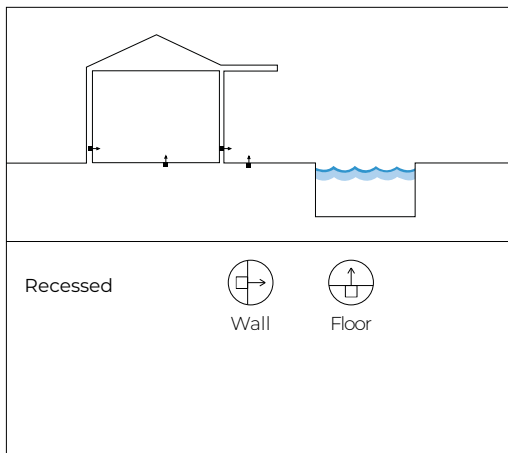
Power Supply

Voltage	350 - 500 mA
Dimming	PWM
Dimming Systems Compatibility	0 - 10V; 1 - 10V; DALI; DMX
Driver	Remote

Fixture

Materials	Stainless Steel AISI 316L; Glass
Body Finishes ¹	Satin Stainless Steel
Weight	1000 g (2.204 lb)
Power Supply Cable	1m (3,28ft) - 2xAWG18 (Red; Black)
Optics ¹	Narrow 11°; Medium 22°; Wide 37°
Diffusers	_____
Screens	Honeycomb

Installation



Temperature and Durability

LED Lifetime T ₈ 25°C	> 50000 h (TM21 L80 B10 @50000 h)
Fixture Lifetime	> 50000 h
T ₈ Performance	25°C (77°F)
T ₈ Operative	-30 ÷ 50 °C (-22 ÷ 122 °F)
Body Temperature	< 90 °C (194 °F)
Surface Temperature	≤ 65 °C (149 °F)

Installation

Electrical Insulation Class	III
IP Protection Degrees	IP66/IP67
Impact Resistance	IK08
Driveability	5000 Kg
Walkability	300 Kg (660 lb)
Certifications	CE/ UL Listed
Normative	EN60598-1; EN60598-2 and its parts; UL 676; CSA C222 No. 89-15; UL 2108; UL 1598/C250-08

¹ Note: contact the factory for custom CCT, optics, finishes and lengths



960°C

AQA STOP FLEX

A A+ A++

Note:

- Power supplies, control&dimming devices and fixing kits must be ordered separately. - Aldabra power supply consumption is equal to 15% of the fixture nominal power.
 - Specifications are subject to change without notice. - Photometric data available at www.aldabra.it - Aldabra, all rights reserved.

STAR 120 Compact Monochromatic

COB LED 350-500 mA

ALDABRA
L U C E C O N T E M P O R A N E A

Part Number

example: **STA.02.F30S1.0**



Dimensions & Power ¹

- STA.02** Ø 120 x 40 mm - 13 - 18 W
Ø 4.724" x 1.547" - 13 - 18 W

Optical Features ¹

- M** Narrow 11°
 F Medium 22°
 W Wide 37°
 H Narrow 11° + Honeycomb
 K Medium 22° + Honeycomb

CCT ¹

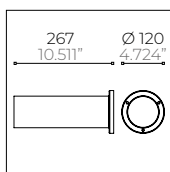
- 30** 3000K
 40 4000K

Finishes ¹

- S1.0** Satin Stainless Steel

Notes: _____

Recessing Box



Type A

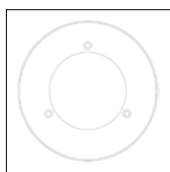
Draining Recessing Box



- CSF.0107.0**

Ø 120 x 267 mm
Ø 4.724" x 10.511"

Dedicated Accessories



- ACC.0203.0**

Satin stainless steel round frame for drive-over version

Generic Accessories



- ACC.0005.0**

IP68 Waterproof connection box with gel
4 channels - 3 poles

General Informations:

Kindly note that atmospheric agents (such as lightnings, etc), electrostatics charges or disturbances on the installation not caused by Aldabra lighting fixtures and Led drivers indicated by Aldabra itself, may cause damages on the fixtures. It is necessary that the electrical installation where the LED lighting fittings and their power supply units and control gears are installed must be equipped with proper devices for the protection and suppression of transient phenomena (SPD, isolation transformer, etc...). Such devices must be coordinated with the other protections of the installation; on this theme, it's necessary to refer to the electrical installations norms which are in force in each country.