

RAGGIO 2 Stainless Steel - Monochromatic

2 Power LED 24 Vdc

ALDABRA
LUCE CONTEMPORANEA

Submittal

Project: _____ Data: _____
 Product Type: _____ Product Code: _____
 Ordering Info: _____



Product Description

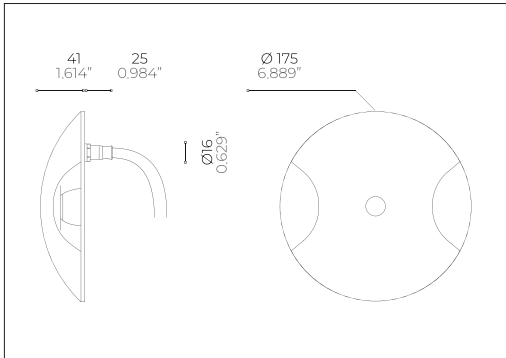
Compact floor or wall luminaire made of painted die-cast aluminum or satin-finished stainless steel 316L. Including internal optics able to project wide or arrow beams of light. The floor fixing is guaranteed without visible screws.



Light Source

Light Source	2 Power LED LM 80 COMPLIANT
Colour Temperature !	3000K; 4000K
Power	2 x 3 W
Colour Rendering Index	> 90
Chromatic Selection	Mac Adam 2-Step
Light Source Efficiency	lm/W
Fixture Luminous Flux	lm
Central Beam Candle Power (CBCP)	_____
LED Type	_____

Technical Drawing



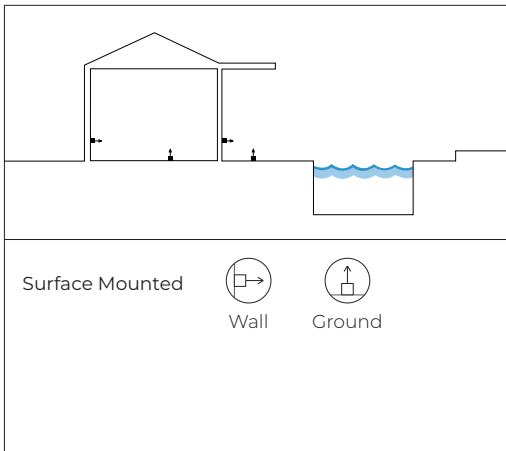
Power Supply

Voltage	24 Vdc Constant Voltage
Dimming	PWM
Dimming Systems Compatibility	0-10V; 1-10V; DALI; DMX
Driver	Remote

Fixture

Materials	Stainless Steel AISI 316L
Body Finishes !	Satin stainless steel
Weight	1540 g (3.4 lb)
Power Supply Cable	1m (3,28ft) - 2xAWG18 (Red; Black) + 1xAWG20 (Violet)
Optics !	Narrow 6°; Wide 60°
Diffusers	_____
Screens	_____

Installation



Temperature and Durability

LED Lifetime T ₈₀ 25°C	> 50000 h (TM21 L80 B10 @50000 h)
Fixture Lifetime	> 50000 h
T ₈₀ Performance	25°C (77°F)
T ₈₀ Operative	-30 ÷ 50 °C (-22 ÷ 122 °F)
Body Temperature	< 90 °C (194 °F)
Surface Temperature	≤ 65 °C (149 °F)

Installation

Electrical Insulation Class	III
IP Protection Degrees	IP67
Impact Resistance	IK10
Driveability	_____
Walkability	_____
Certifications	CE
Normative	EN60598-1 ; EN60598-2 and its parts

! Note: contact the factory for custom CCT, optics, finishes and lengths



650°C

AQA STOP FLEX

A A+ A++

Note:

- Power supplies, control&dimming devices and fixing kits must be ordered separately. - Aldabra power supply consumption is equal to 15% of the fixture nominal power. - Specifications are subject to change without notice. - Photometric data available at www.aldabra.it - Aldabra, all rights reserved.

RAGGIO 2 Stainless Steel - Monochromatic

2 Power LED 24 Vdc

ALDABRA
LUCE CONTEMPORANEA

Part Number

example: **RAG.02.M30.S1.0**



Length & Power ¹

- RAG.02** Ø 175 x 41 mm - 2 x 3 W
- Ø 6.889 x 1.614" - 2 x 3 W

Optical Features ¹

- M** Narrow Optic 6°
- W** Wide Optic 60°

CCT ¹

- 30** 3000K
- 40** 4000K

Finishes ¹

- S1.0** Satin Stainless Steel

Notes: _____

Dedicated Accessories



- ACC.0059.0**
Anchor plate for Raggio



- ACC.0396.0**
Anti-vandal key for Raggio

General Informations:

Kindly note that atmospheric agents (such as lightnings, etc), electrostatics charges or disturbances on the installation not caused by Aldabra lighting fixtures and Led drivers indicated by Aldabra itself, may cause damages on the fixtures. It is necessary that the electrical installation where the LED lighting fittings and their power supply units and control gears are installed must be equipped with proper devices for the protection and suppression of transient phenomena (SPD, isolation transformer, etc...). Such devices must be coordinated with the other protections of the installation; on this theme, it's necessary to refer to the electrical installations norms which are in force in each country.