

HOLE Monochromatic

Mid Power LED 24 Vdc

ALDABRA
LUCE CONTEMPORANEA

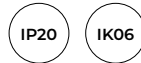
Submittal

Project: _____ Data: _____
 Product Type: _____ Product Code: _____
 Ordering Info: _____



Product Description

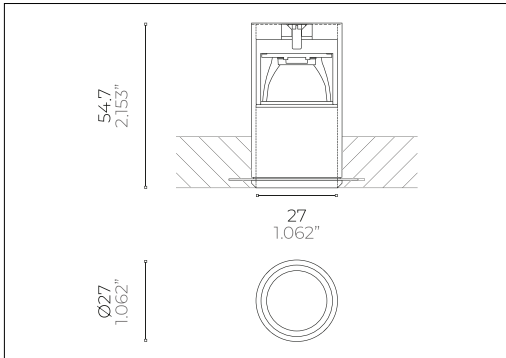
Recessed trimless luminaire for indoor installation, featuring anti-glare recessed optics and a magnetic insert for easy installation and maintenance. Made of aluminium alloy, stainless steel and PMMA.



Light Source

Light Source	Mid Power LED LM 80 COMPLIANT
Colour Temperature [!]	2700; 3000K; 4000K
Power	1 W
Colour Rendering Index	> 90
Chromatic Selection	Mac Adam 3-Step
Light Source Efficiency	lm/W
Fixture Luminous Flux	lm
Central Beam Candle Power (CBCP)	_____
LED Type	_____

Technical Drawing



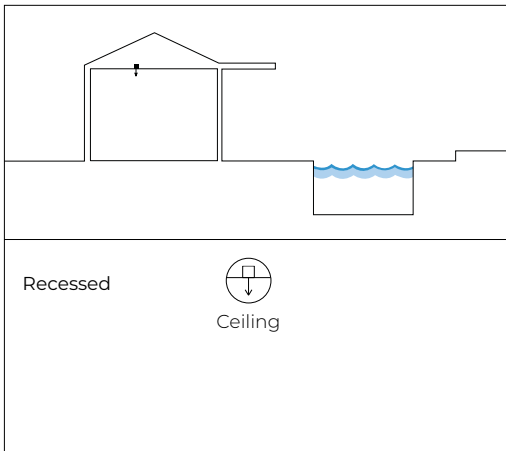
Power Supply

Voltage	24 Vdc Constant Voltage
Dimming	PWM
Dimming Systems Compatibility	0-10V; 1-10V; DALI; DMX
Driver	Remote

Fixture

Materials	Anticorodal Aluminium Alloy UNI 6060; Stainless Steel AISI 316L; PMMA
Body Finishes [!]	Polished Steel
Weight	23 g (0.05 lb)
Power Supply Cable	0,5 m (1,64 ft) - 1xAWG20 (Red) + 1xAWG20 (Black)
Optics [!]	Wide 35°
Diffusers	_____
Screens	_____

Installation



Temperature and Durability

LED Lifetime T ₈₀ 25°C	> 50000 h (TM21 L80 B10 @50000 h)
Fixture Lifetime	> 50000 h
T ₈₀ Performance	25°C (77°F)
T ₈₀ Operative	-30 ÷ 50 °C (-22 ÷ 122 °F)
Body Temperature	< 90 °C (194 °F)
Surface Temperature	≤ 65 °C (149 °F)

Installation

Electrical Insulation Class	III
IP Protection Degrees	IP20
Impact Resistance	IK06
Driveability	_____
Walkability	_____
Certifications	CE
Normative	EN60598-1; EN60598-2 and its parts

[!] Note: contact the factory for custom CCT, optics, finishes and lengths



650°C A A+ A++

Note:

- Power supplies, control&dimming devices and fixing kits must to be orderd separately. - Aldabra power supply consumption is equal to 15% of the fixture nominal power.
 - Specifications are subject to change without notice. - Photometric data available at www.aldabra.it - Aldabra, all rights reserved.

HOLE Monochromatic

Mid Power LED 24 Vdc

ALDABRA
L U C E C O N T E M P O R A N E A

Part Number

example: **HOL.01.F27.S2.0**



Length & Power ¹

- HOL.01** Ø27 x 54,7 mm - 1 W
Ø1.062" x 2.153" - 1 W

Optical Features ¹

- W** Wide Optic 35°

CCT ¹

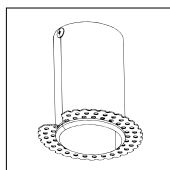
- 27** 2700K
 30 3000K
 40 4000K

Finishes ¹

- S2.0** Polished Steel

Notes: _____

Recessing Box

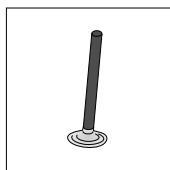


Type A Round trimless recessing box in matt white aluminium

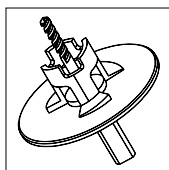


- CSF.0108.0**

Generic Accessories



- ACC.0277.0**
Tool for pulling out Hole 27



- ACC.0278.0**
Tool for drilling plasterboard
for Hole 27

General Informations:

Kindly note that atmospheric agents (such as lightnings, etc), electrostatics charges or disturbances on the installation not caused by Aldabra lighting fixtures and Led drivers indicated by Aldabra itself, may cause damages on the fixtures. It is necessary that the electrical installation where the LED lighting fittings and their power supply units and control gears are installed must be equipped with proper devices for the protection and suppression of transient phenomena (SPD, isolation transformer, etc...). Such devices must be coordinated with the other protections of the installation; on this theme, it's necessary to refer to the electrical installations norms which are in force in each country.