

# DIVA Q3 ONE Monochromatic

COB LED 24 Vdc

**ALDABRA**  
LUCE CONTEMPORANEA

## Submittal

Project: \_\_\_\_\_ Data: \_\_\_\_\_  
 Product Type: \_\_\_\_\_ Product Code: \_\_\_\_\_  
 Ordering Info: \_\_\_\_\_



## Product Description

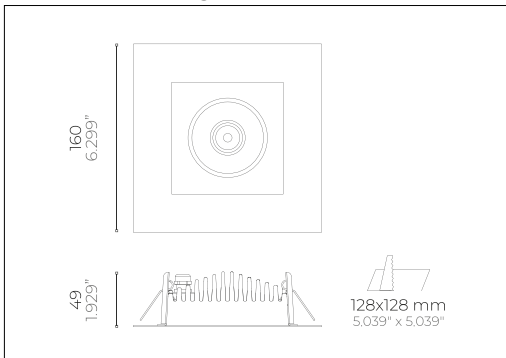
Professional recessed luminaires with reduced recessed depth, available in different shapes: square, rectangular and circular. Suitable for indoor and outdoor applications. Made of aluminium, steel and tempered glass screen.



## Light Source

Light Source	COB LED LM 80 COMPLIANT
Colour Temperature <sup>!</sup>	2700K; 3000K; 4000K
Power	20 W
Colour Rendering Index	> 90
Chromatic Selection	Mac Adam 3-Step
Light Source Efficiency	lm/W
Fixture Luminous Flux	lm
Central Beam Candle Power (CBCP)	_____
LED Type	_____

## Technical Drawing



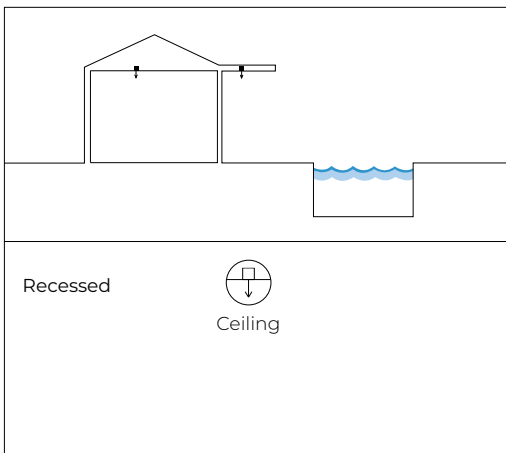
## Power Supply

Voltage	500 mA
Dimming	PWM
Dimming Systems Compatibility	0-10V; 1-10V; DALI; DMX
Driver	Remote

## Fixture

Materials	Die Cast Aluminium
Body Finishes <sup>!</sup>	White Sablè; Black Sablè
Weight	800 g (1.763 lb)
Power Supply Cable	0,5m (1,64 ft) - 2xAWG18 (Red;Black)
Optics <sup>!</sup>	Narrow 11°; Medium 22°; Wide 37°
Diffusers	_____
Screens	_____

## Installation



## Temperature and Durability

LED Lifetime T <sub>8</sub> 25°C	> 50000 h (TM21 L80 B10 @50000 h)
Fixture Lifetime	> 50000 h
T <sub>8</sub> Performance	25°C (77°F)
T <sub>8</sub> Operative	-30 ÷ 50 °C (-22 ÷ 122 °F)
Body Temperature	< 90 °C (194 °F)
Surface Temperature	≤ 65 °C (149 °F)

## Installation

Electrical Insulation Class	III
IP Protection Degrees	IP65
Impact Resistance	IK06
Driveability	_____
Walkability	_____
Certifications	CE; UL listed
Normative	EN60598-1; EN60598-2 and its parts; UL 676; CSA C222 No. 89-15; UL 2108; UL 1598/C250-08

<sup>!</sup> Note: contact the factory for custom CCT, optics, finishes and lengths



960°C

AQA STOP FLEX

A A+ A++

## Note:

- Power supplies, control&dimming devices and fixing kits must be ordered separately. - Aldabra power supply consumption is equal to 15% of the fixture nominal power.  
 - Specifications are subject to change without notice. - Photometric data available at [www.aldabra.it](http://www.aldabra.it) - Aldabra, all rights reserved.

# DIVA Q3 ONE Monochromatic

COB LED 24 Vdc

**ALDABRA**  
L U C E C O N T E M P O R A N E A

## Part Number

example: **DIV.06.M27.W2.0**



### Dimensions & Power <sup>1</sup>

- DIV.06** 160 x 160 x 49 mm - 20 W  
4.33" x 6.102" x 1.929" - 20 W

### Optical Features <sup>1</sup>

- M** Narrow 11°  
 **F** Medium 22°  
 **W** Wide 37°

### CCT <sup>1</sup>

- 27** 2700K  
 **30** 3000K  
 **40** 4000K

### Finishes <sup>1</sup>

- B2.0** Black Sablè  
 **W2.0** White Sablè

Notes: \_\_\_\_\_

## Generic Accessories



- ACC.0005.0**  
IP68 Waterproof connection  
box with gel  
4 channels - 3 poles

## General Informations:

Kindly note that atmospheric agents (such as lightnings, etc), electrostatics charges or disturbances on the installation not caused by Aldabra lighting fixtures and Led drivers indicated by Aldabra itself, may cause damages on the fixtures. It is necessary that the electrical installation where the LED lighting fittings and their power supply units and control gears are installed must be equipped with proper devices for the protection and suppression of transient phenomena (SPD, isolation transformer, etc...). Such devices must be coordinated with the other protections of the installation; on this theme, it's necessary to refer to the electrical installations norms which are in force in each country.