

AZIMUT 95 - RGB

Power LED 24 Vdc

ALDABRA
LUCE CONTEMPORANEA

Submittal

Project: _____ Data: _____
 Product Type: _____ Product Code: _____
 Ordering Info: _____



Product Description

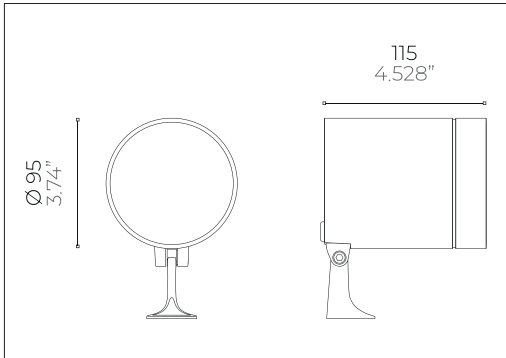
Professional floodlights for direct and indirect lighting. Suitable for wall, floor or ceiling installations with integrated adjustable bracket. Made of painted aluminum and nanopolymer resin that ensures a complete waterproofing.



Light Source

Light Source	Power LED LM 80 COMPLIANT
Colour Temperature ¹	RGB
Power	14 W
Colour Rendering Index	> 90
Chromatic Selection	Mac Adam 2-Step
Light Source Efficiency	lm/W
Fixture Luminous Flux	lm
Central Beam Candle Power (CBCP)	_____
LED Type	_____

Technical Drawing



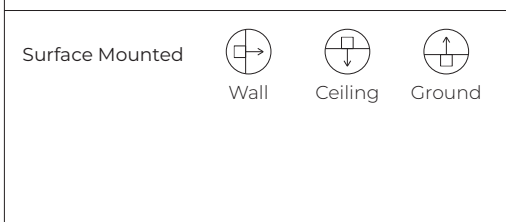
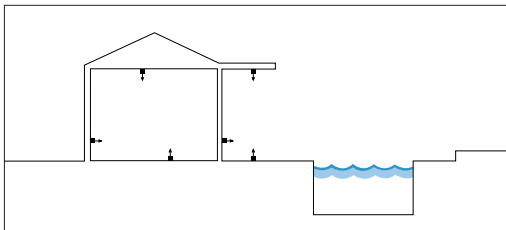
Power Supply

Voltage	24 Vdc
Dimming	PWM
Dimming Systems Compatibility	0-10V; 1-10V; DALI; DMX
Driver	Remote

Fixture

Materials	Anticorodal Aluminium Alloy UNI 6060
Body Finishes ¹	Black Sablè; White Sablè
Weight	1000 g (2.205 lb)
Power Supply Cable	1m (3,28ft) - 3xAWG18 (White; Black, Green)
Optics ¹	Narrow 15°; Medium 27°; Wide 42°
Diffusers	_____
Screens	_____

Installation



Temperature and Durability

LED Lifetime T ₈₀ 25°C	> 50000 h (TM21 L80 B10 @50000 h)
Fixture Lifetime	> 50000 h
T ₈₀ Performance	25°C (77°F)
T ₈₀ Operative	-30 ÷ 50 °C (-22 ÷ 122 °F)
Body Temperature	< 90 °C (194 °F)
Surface Temperature	≤ 65 °C (149 °F)

Installation

Electrical Insulation Class	III
IP Protection Degrees	IP65
Impact Resistance	IK05
Driveability	_____
Walkability	_____
Certifications	CE; UL listed
Normative	EN60598-1; EN60598-2 and its parts; UL 676; CSA C222 No. 89-15; UL 2108; UL 1598/C250-08

! Note: contact the factory for custom CCT, optics, finishes and lengths



960°C

AQA STOPLEX

A A+ A++

Note:

- Power supplies, control&dimming devices and fixing kits must to be orderd separately. - Aldabra power supply consumption is equal to 15% of the fixture nominal power.
 - Specifications are subject to change without notice. - Photometric data available at www.aldabra.it - Aldabra, all rights reserved.

AZIMUT 95 - RGB

Power LED 24 Vdc

ALDABRA
L U C E C O N T E M P O R A N E A

Part Number

example: **AZI.06.F90.B2.0**



Length & Power ¹

- AZI.06** Ø95 x 115 mm - 14 W
- Ø2.283" x 3.74" - 14 W

Optical Features ¹

- M** Narrow Optic 15°
- F** Medium Optic 27°
- W** Wide Optic 42°

CCT ¹

- 90** RGB

Finishes ¹

- B2.0** Black Sablè
- W2.0** White Sablè

Notes: _____

General Informations:

Kindly note that atmospheric agents (such as lightnings, etc), electrostatics charges or disturbances on the installation not caused by Aldabra lighting fixtures and Led drivers indicated by Aldabra itself, may cause damages on the fixtures. It is necessary that the electrical installation where the LED lighting fittings and their power supply units and control gears are installed must be equipped with proper devices for the protection and suppression of transient phenomena (SPD, isolation transformer, etc...). Such devices must be coordinated with the other protections of the installation; on this theme, it's necessary to refer to the electrical installations norms which are in force in each country.