

ATLAS Aluminium - Monochromatic

High Power LED 24 Vdc - Bus on Board

ALDABRA
L U C E C O N T E M P O R A N E A

Submittal

Project: _____ Data: _____
 Product Type: _____ Product Code: _____
 Ordering Info: _____



Product Description

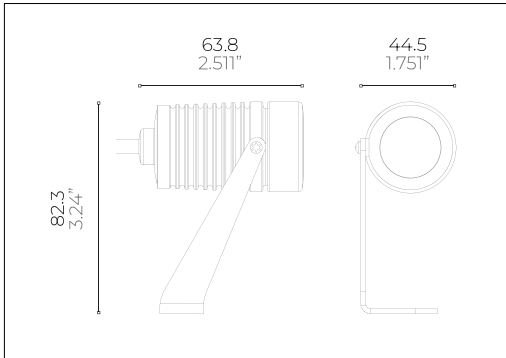
Compact professional mini-floodlight for direct and indirect lighting suitable for indoor, outdoor and underwater environments. Available in anodized aluminium 6060 or stainless steel Aisi 316L.



Light Source

Light Source	High Power LED LM 80 COMPLIANT
Colour Temperature !	2700K; 3000K; 4000K
Power	6,7 W
Colour Rendering Index	> 90
Chromatic Selection	Mac Adam 2-Step
Light Source Efficiency	lm/W
Fixture Luminous Flux	lm
Central Beam Candle Power (CBCP)	_____
LED Type	_____

Technical Drawing



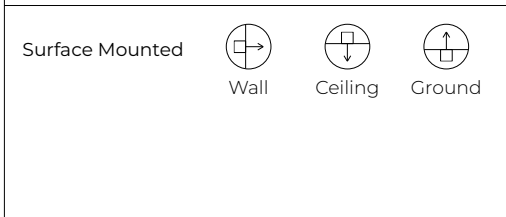
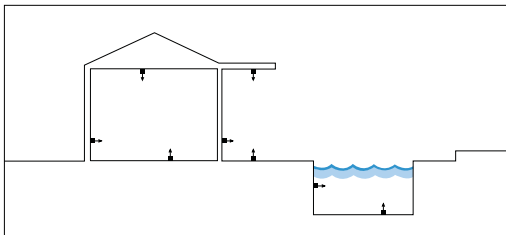
Power Supply

Voltage	24 Vdc Constant Voltage
Dimming	PWM
Dimming Systems Compatibility	0-10V; 1-10V; DALI; DMX
Driver	Remote

Fixture

Materials	Anticorodal Aluminium Alloy UNI 6060
Body Finishes !	Anodized Aluminium
Weight	110 g (0,242 lb)
Power Supply Cable	1m (3,28ft) - 2xAWG18 (Red; Black) + 1xAWG20 (Violet)
Optics !	Medium 24°; Wide 48°
Diffusers	Satin
Screens	_____

Installation



Temperature and Durability

LED Lifetime T ₈₀ 25°C	> 50000 h (TM21 L80 B10 @50000 h)
Fixture Lifetime	> 50000 h
T ₈₀ Performance	25°C (77°F)
T ₈₀ Operative	-30 ÷ 50 °C (-22 ÷ 122 °F)
Body Temperature	< 90 °C (194 °F)
Surface Temperature	≤ 65 °C (149 °F)

Installation

Electrical Insulation Class	III
IP Protection Degrees	IP66; IP68
Impact Resistance	IK05
Driveability	_____
Walkability	_____
Certifications	CE; UL listed
Normative	EN60598-1; EN60598-2 and its parts; UL 676; CSA C222 No.89-15; UL 2108; UL 1598/C250-08

! Note: contact the factory for custom CCT, optics, finishes and lengths



960°C

AQA STOP FLEX

A A+ A++

Note:

- Power supplies, control&dimming devices and fixing kits must to be orderd separately. - Aldabra power supply consumption is equal to 15% of the fixture nominal power.
 - Specifications are subject to change without notice. - Photometric data available at www.aldabra.it - Aldabra, all rights reserved.

ATLAS Aluminium - Monochromatic

High Power LED 24 Vdc - Bus on Board

ALDABRA
L U C E C O N T E M P O R A N E A

Part Number

example: **ATL.04.F30.A1.0**



Length & Power ¹

- ATL.04** 63,8 x 82,3 x 44,5 mm - 6,7 W
2.511" x 3,24" x 1.751" - 6,7 W

Optical Features ¹

- F** Medium Optic 24°
 W Wide Optic 48°
 S Satin Diffuser

CCT ¹

- 27** 2700K
 30 3000K
 40 4000K

Finishes ¹

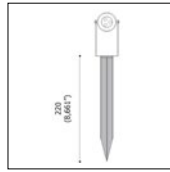
- A1.0** Anodized Aluminium

Notes: _____

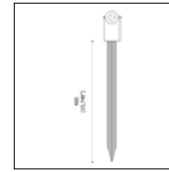
Dedicated Accessories



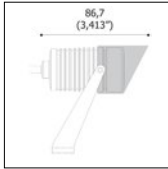
- ACC.0023.0**
Regulation knob for Atlas



- ACC.0043.0**
Universal ground picket
220mm



- ACC.0044.0**
Universal ground picket
400mm



- ACC.0045.0**
Anodized aluminium
asymmetric glare cowl for
Atlas

General Informations:

Kindly note that atmospheric agents (such as lightnings, etc), electrostatics charges or disturbances on the installation not caused by Aldabra lighting fixtures and Led drivers indicated by Aldabra itself, may cause damages on the fixtures. It is necessary that the electrical installation where the LED lighting fittings and their power supply units and control gears are installed must be equipped with proper devices for the protection and suppression of transient phenomena (SPD, isolation transformer, etc...). Such devices must be coordinated with the other protections of the installation; on this theme, it's necessary to refer to the electrical installations norms which are in force in each country.