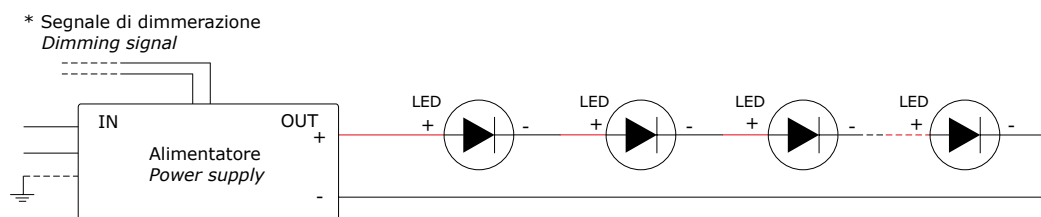


A1 Collegamento in serie per LED in corrente costante Series connection for constant current LED

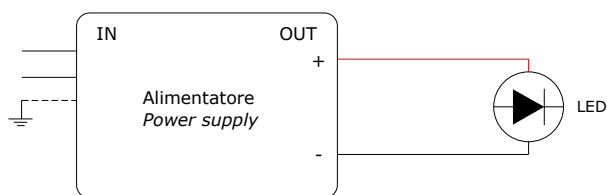


Codici alimentatori Power supply codes

350 mA	500 mA
PSU.0001.0	PSU.0001.0
PSU.0023.0	PSU.0002.0
PSU.0024.0	PSU.0003.0
PSU.0025.0	PSU.0004.0
PSU.0026.0	PSU.0022.0
PSU.0027.0	PSU.0028.0
PSU.0030.0	PSU.0030.0
	PSU.0034.0

* Versione dimmerabile / Dimmable version

B1 Collegamento per 1 COB LED corrente costante Connection for 1 COB LED constant current

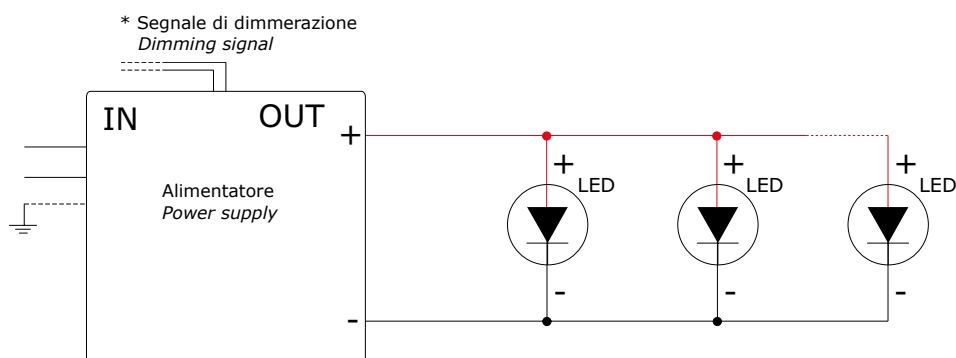


Codici alimentatori Power supply codes

350 mA	500 mA
PSU.0001.0	PSU.0001.0
PSU.0023.0	PSU.0022.0
PSU.0024.0	PSU.0028.0
PSU.0025.0	PSU.0030.0
PSU.0026.0	PSU.0034.0
PSU.0030.0	

C1 Collegamento in parallelo con alimentatori a tensione costante Parallel connection for constant voltage power supply

Codici alimentatori Power supply codes



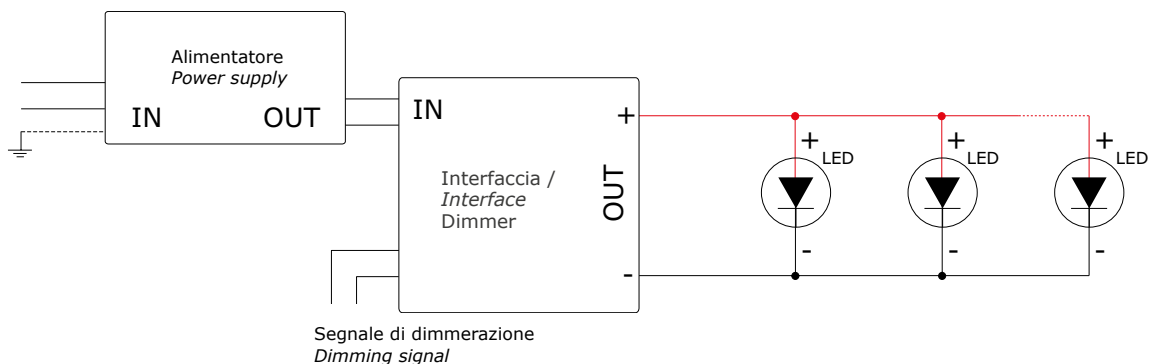
* Versione dimmerabile / Dimmable version

24 Vdc

PSU.0001.0
PSU.0005.0
PSU.0006.0
PSU.0007.0
PSU.0008.0
PSU.0009.0
PSU.0010.0
PSU.0011.0
PSU.0012.0
PSU.0013.0
PSU.0014.0
PSU.0015.0
PSU.0016.0
PSU.0017.0
PSU.0018.0
PSU.0020.0
PSU.0021.0
PSU.0030.0

C2 Collegamento in parallelo per sistemi monocromatici a 24 Vdc dimmerabili Parallel connection for 24 Vdc dimmable monochromatic systems

Codici alimentatori Power supply codes



24 Vdc

PSU.0001.0
PSU.0005.0
PSU.0006.0
PSU.0007.0
PSU.0008.0
PSU.0009.0
PSU.0010.0
PSU.0011.0
PSU.0012.0
PSU.0013.0
PSU.0014.0
PSU.0015.0
PSU.0016.0
PSU.0017.0
PSU.0018.0
PSU.0020.0
PSU.0021.0
PSU.0030.0

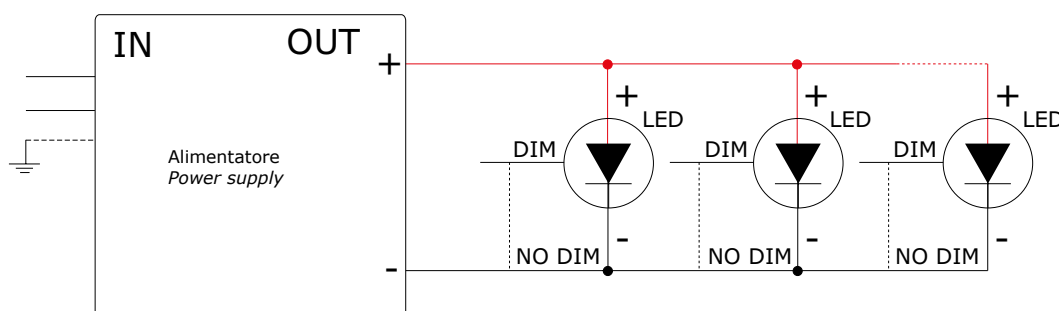
DIMMER 0-10V

ECG.0030.0

Convertitore DALI DALI converter

ECG.0016.0

D1 Collegamento in parallelo con alimentatori a tensione costante dimmerabile Parallel connection for constant voltage power supply dimmable



* Versione dimmerabile (collegare il segnale di dimmerazione all'uscita del dispositivo dimmer cod. ECG.0002.0, ECG.0003.0 o dell'interfaccia DMX cod. ECG.0011.0 o ECG.0006.0 o del convertitore DALI cod.ECG.0028.0)

* Dimmable version (connect the dimmable signal to the output of the dimmer device cod. ECG.0002.0, ECG.0003.0, to the DMX interface cod. ECG.0011.0 or ECG.0006.0 or to the DALI converter Cod. ECG.0028.0)

Nota: In caso di non dimmerazione collegare il cavo DIM al negativo

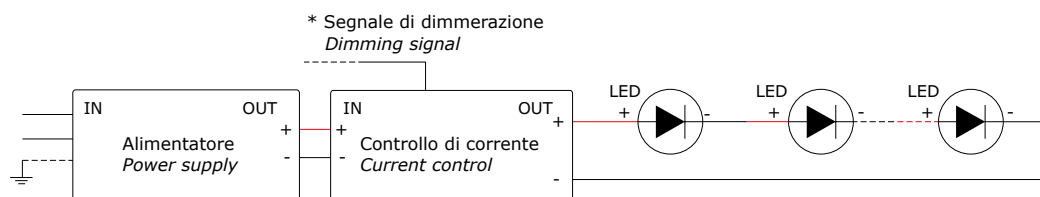
Remark: In case of non-dimming connect the DIM cable to the negative

Codici alimentatori Power supply codes

24 Vdc

PSU.0001.0
PSU.0005.0
PSU.0006.0
PSU.0007.0
PSU.0008.0
PSU.0009.0
PSU.0010.0
PSU.0011.0
PSU.0012.0
PSU.0013.0
PSU.0014.0
PSU.0015.0
PSU.0016.0
PSU.0017.0
PSU.0018.0
PSU.0020.0
PSU.0021.0
PSU.0030.0

E1 Collegamento in serie con controllo di corrente per LED in corrente costante Series connection with current control for constant current LED



* Versione dimmerabile (collegare il segnale di dimmerazione all'uscita del dispositivo dimmer cod. ECG.0002.0, ECG.0003.0 o dell'interfaccia DMX cod. ECG.0011.0 o ECG.0006.0 o del convertitore DALI cod.ECG.0028.0)

* Dimmable version (connect the dimmable signal to the output of the dimmer device cod. ECG.0002.0, ECG.0003.0, to the DMX interface cod. ECG.0011.0 or ECG.0006.0 or to the DALI converter Cod. ECG.0028.0)

Codici alimentatori Power supply codes

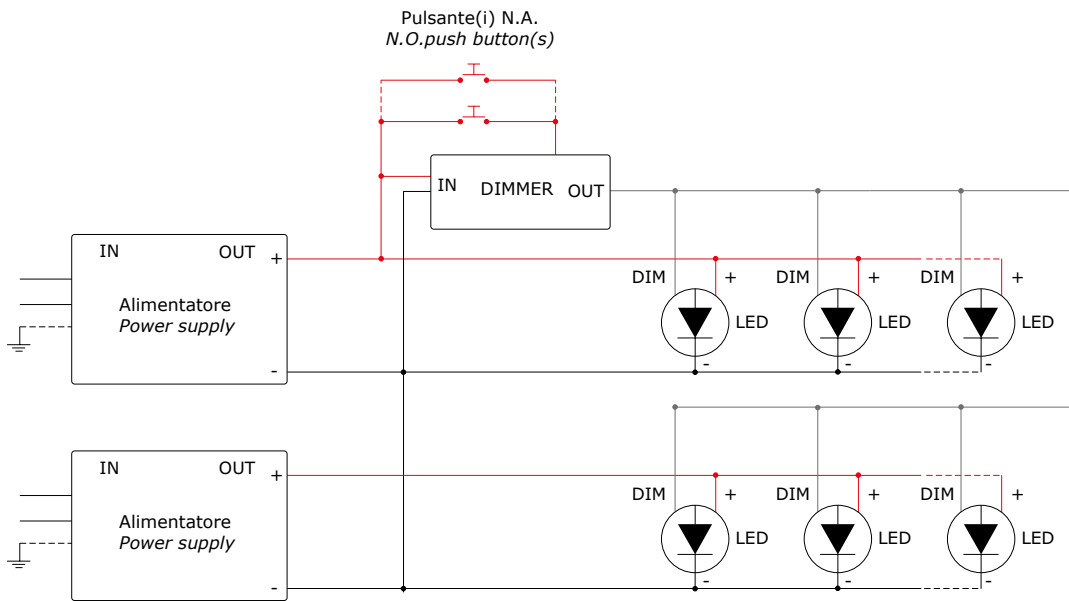
24 Vdc

PSU.0001.0
PSU.0005.0
PSU.0006.0
PSU.0007.0
PSU.0008.0
PSU.0009.0
PSU.0010.0
PSU.0011.0
PSU.0012.0
PSU.0013.0
PSU.0014.0
PSU.0015.0
PSU.0016.0
PSU.0017.0
PSU.0018.0
PSU.0020.0
PSU.0021.0
PSU.0030.0

Codici controllo di corrente Current control code

350 mA **500 mA**
ECG.0012.0* ECG.0014.0*

F1 Collegamento in parallelo per dispositivi "DIMMER"
Parallel connection for "DIMMER" devices



Codici alimentatori
Power supply codes

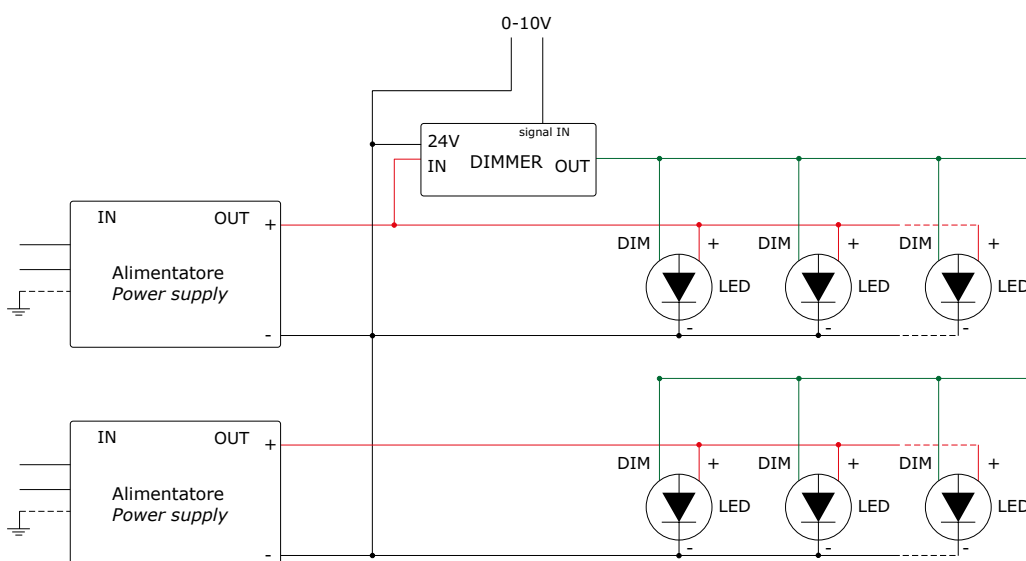
24 Vdc

- PSU.0001.0
- PSU.0005.0
- PSU.0006.0
- PSU.0007.0
- PSU.0008.0
- PSU.0009.0
- PSU.0010.0
- PSU.0011.0
- PSU.0012.0
- PSU.0013.0
- PSU.0014.0
- PSU.0015.0
- PSU.0016.0
- PSU.0017.0
- PSU.0018.0
- PSU.0020.0
- PSU.0021.0
- PSU.0030.0

Codice DIMMER
DIMMER code

ECG.0003.0

G1 Collegamento in parallelo per dispositivi "DIMMER"
Parallel connection for "DIMMER" devices



Codici alimentatori
Power supply codes

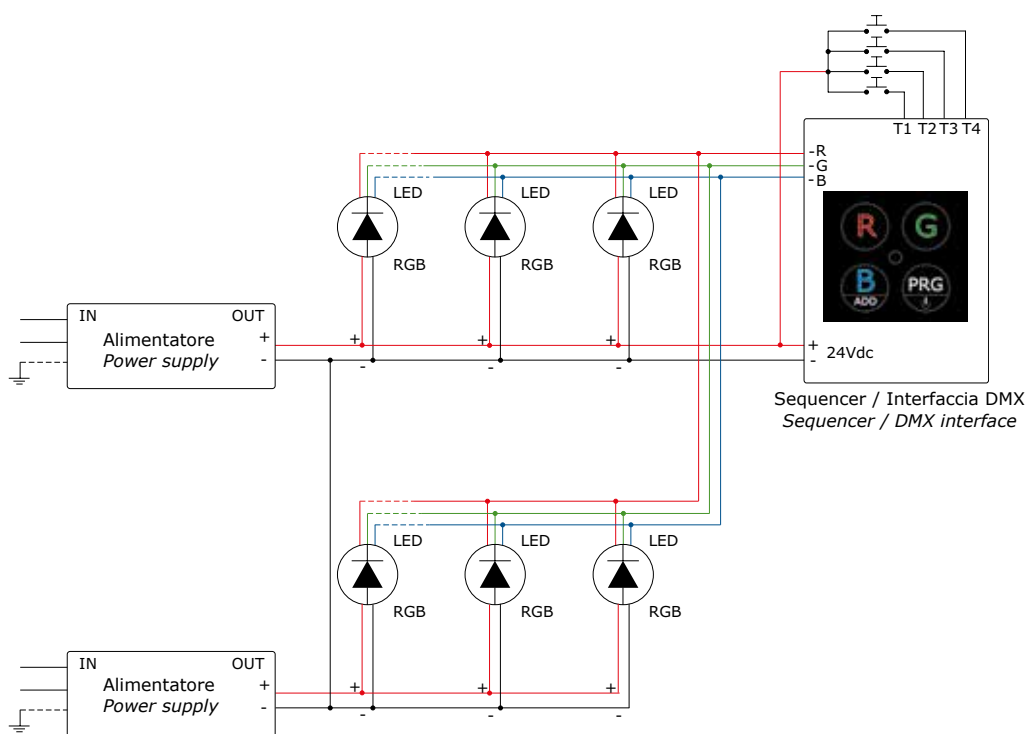
24 Vdc

- PSU.0001.0
- PSU.0005.0
- PSU.0006.0
- PSU.0007.0
- PSU.0008.0
- PSU.0009.0
- PSU.0010.0
- PSU.0011.0
- PSU.0012.0
- PSU.0013.0
- PSU.0014.0
- PSU.0015.0
- PSU.0016.0
- PSU.0017.0
- PSU.0018.0
- PSU.0020.0
- PSU.0021.0
- PSU.0030.0

Codice DIMMER
DIMMER code

ECG.0002.0

H1 Collegamento in parallelo per sistemi sequencer
Parallel connection for systems with sequencer



Codici alimentatori
Power supply codes

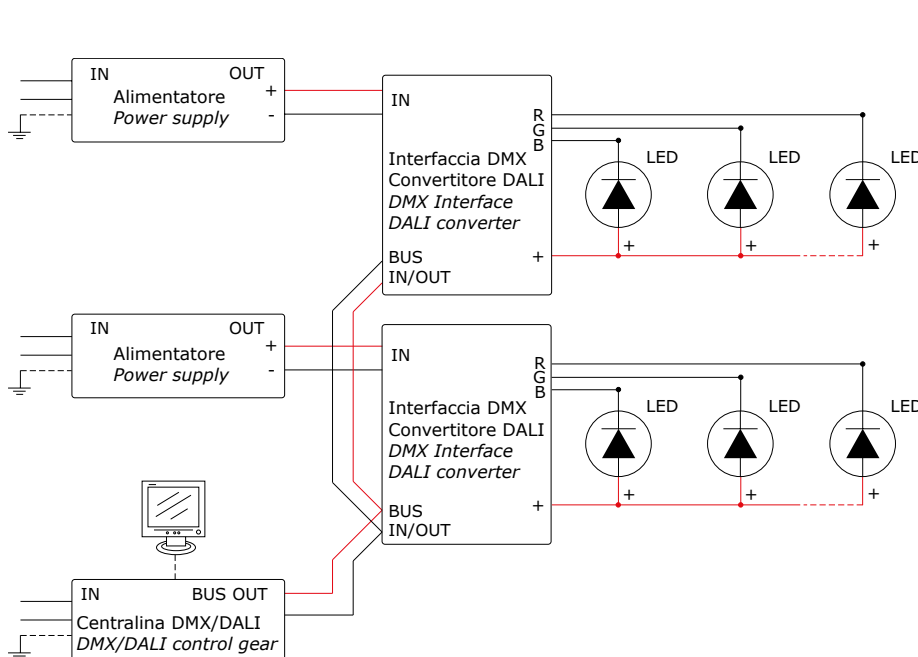
24 Vdc

- PSU.0001.0
- PSU.0005.0
- PSU.0006.0
- PSU.0007.0
- PSU.0008.0
- PSU.0009.0
- PSU.0010.0
- PSU.0011.0
- PSU.0012.0
- PSU.0013.0
- PSU.0014.0
- PSU.0015.0
- PSU.0016.0
- PSU.0017.0
- PSU.0018.0
- PSU.0020.0
- PSU.0021.0
- PSU.0030.0

Codice sequencer
Sequencer code

- ECG.0011.0

I1 DMX/DALI - Collegamento in parallelo per sistemi monocromatici
DMX/DALI - Parallel connection for monochromatic systems



Interfaccia DMX
DMX interface

- ECG.0006.0
- ECG.0011.0

Centralina DMX
DMX control gear

- ECG.0001.0*

Convertitore DALI
DALI converter

- ECG.0028.0

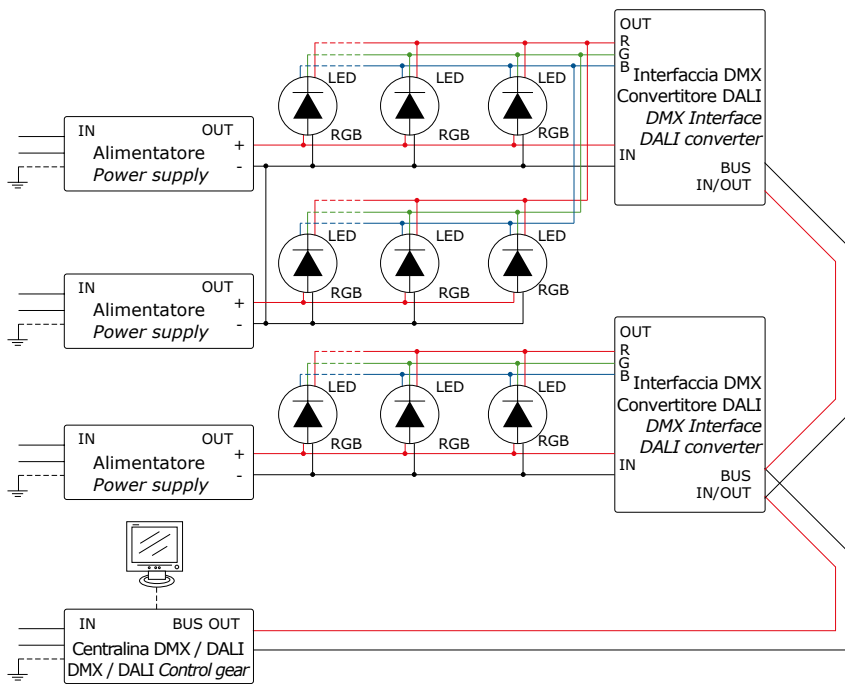
Codici alimentatori
Power supply codes

24 Vdc

- PSU.0001.0
- PSU.0005.0
- PSU.0006.0
- PSU.0007.0
- PSU.0008.0
- PSU.0009.0
- PSU.0010.0
- PSU.0011.0
- PSU.0012.0
- PSU.0013.0
- PSU.0014.0
- PSU.0015.0
- PSU.0016.0
- PSU.0017.0
- PSU.0018.0
- PSU.0020.0
- PSU.0021.0
- PSU.0030.0

* PC richiesto solo per la programmazione / PC only needed for programming

J1 DMX/DALI - Collegamento in parallelo per sistemi RGB/DWS 24 Vdc dimmerabili
DMX/DALI - Parallel connection for RGB/DWS 24 Vdc dimmable systems



**Interfaccia DMX
DMX Interface**

ECG.0006.0
 ECG.0011.0

**Codici alimentatori
Power supply codes
24 Vdc**

PSU.0001.0
 PSU.0005.0
 PSU.0006.0
 PSU.0007.0
 PSU.0008.0

**Centralina DMX
DMX Control gear**

ECG.0001.0 *

PSU.0009.0
 PSU.0010.0
 PSU.0011.0
 PSU.0012.0
 PSU.0013.0
 PSU.0014.0
 PSU.0015.0
 PSU.0016.0

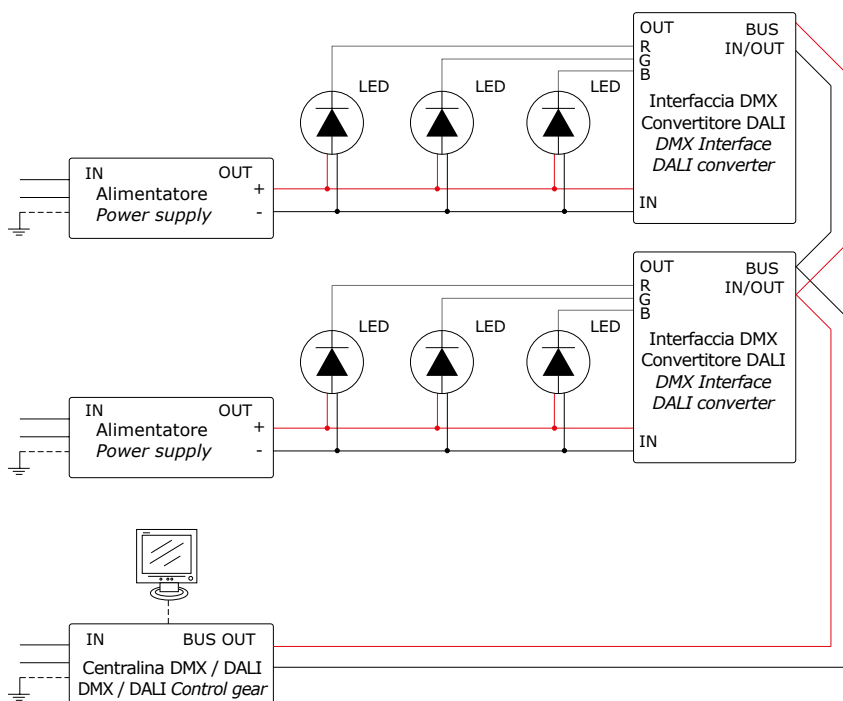
**Convertitore DALI
DALI Converter**

ECG.0028.0

PSU.0017.0
 PSU.0018.0
 PSU.0020.0
 PSU.0021.0
 PSU.0030.0

* PC richiesto solo per la programmazione / PC only needed for programming

K1 DMX/DALI - Collegamento in parallelo sistemi monocromatici a 24 Vdc dimmerabili
DMX/DALI - Parallel connection for 24 Vdc dimmable monochromatic systems



**Interfaccia DMX
DMX Interface**

ECG.0006t.0
 ECG.0011.0

**Codici alimentatori
Power supply codes
24 Vdc**

PSU.0001.0
 PSU.0005.0
 PSU.0006.0
 PSU.0007.0
 PSU.0008.0

**Centralina DMX
DMX Control gear**

ECG.0001.0 *

PSU.0009.0
 PSU.0010.0
 PSU.0011.0
 PSU.0012.0
 PSU.0013.0
 PSU.0014.0
 PSU.0015.0
 PSU.0016.0

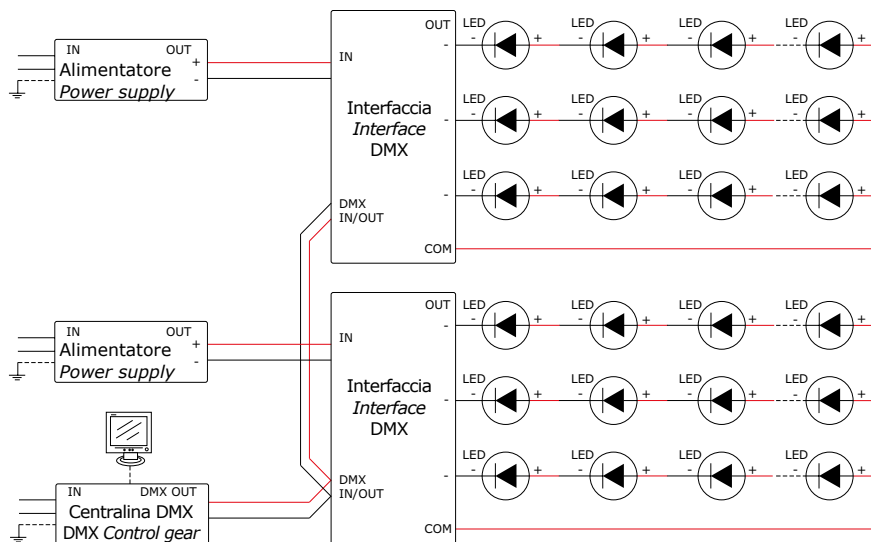
**Convertitore DALI
DALI Converter**

ECG.0028.0

PSU.0017.0
 PSU.0018.0
 PSU.0020.0
 PSU.0021.0
 PSU.0030.0

* PC richiesto solo per la programmazione / PC only needed for programming

L1 DMX - Collegamento in serie per LED in corrente costante
DMX - Series connection for constant current LED



**Interfaccia DMX
 DMX Interface
 350 mA**

ECG.0005.0

**Interfaccia DMX
 DMX Interface
 500 mA**

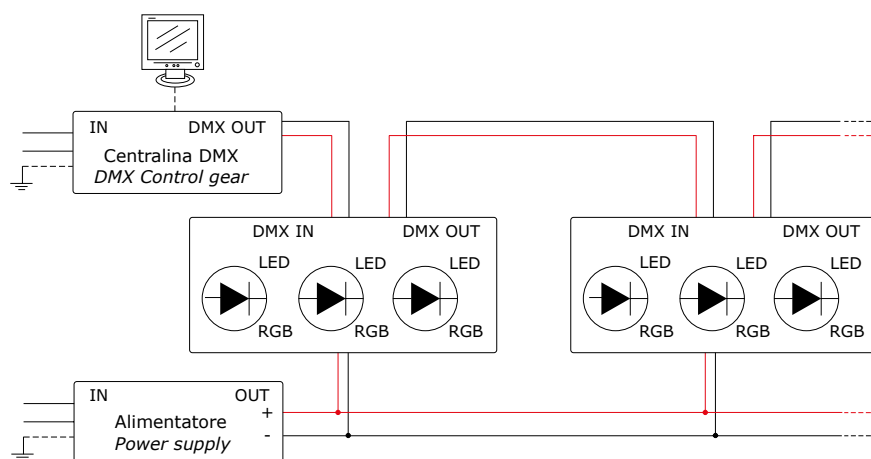
ECG.0008.0

**Codici alimentatori
 Power supply codes
 24 Vdc**

- PSU.0001.0
- PSU.0005.0
- PSU.0006.0
- PSU.0007.0
- PSU.0008.0
- PSU.0009.0
- PSU.0010.0
- PSU.0011.0
- PSU.0012.0
- PSU.0013.0
- PSU.0014.0
- PSU.0015.0
- PSU.0016.0
- PSU.0017.0
- PSU.0018.0
- PSU.0020.0
- PSU.0021.0
- PSU.0030.0

* PC richiesto solo per la programmazione / PC only needed for programming

M1 DMX - Collegamento in parallelo per sistemi RGB MOVE
DMX - Parallel connection for RGB MOVE systems



**Codici alimentatori
 Power supply codes**

24 Vdc

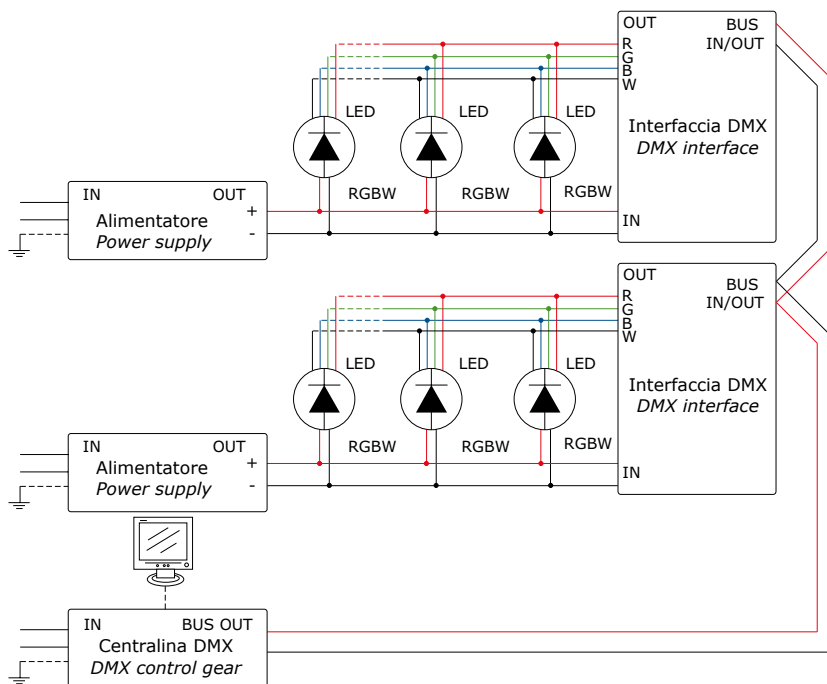
- PSU.0001.0
- PSU.0005.0
- PSU.0006.0
- PSU.0007.0
- PSU.0008.0
- PSU.0009.0
- PSU.0010.0
- PSU.0011.0
- PSU.0012.0
- PSU.0013.0
- PSU.0014.0
- PSU.0015.0
- PSU.0016.0
- PSU.0017.0
- PSU.0018.0
- PSU.0020.0
- PSU.0021.0
- PSU.0030.0

* PC richiesto solo per la programmazione / PC only needed for programming

**Centralina DMX
 DMX Control gear**

ECG.0001.0 *

N1 DMX - Collegamento in parallelo per sistemi RGBW 24 Vdc dimmerabili
DMX - Parallel connection for RGBW 24 Vdc dimmable systems



Codici alimentatori
Power supply codes
24 Vdc

- PSU.0001.0
- PSU.0005.0
- PSU.0006.0
- PSU.0007.0
- PSU.0008.0
- PSU.0009.0
- PSU.0010.0
- PSU.0011.0
- PSU.0012.0
- PSU.0013.0
- PSU.0014.0
- PSU.0015.0
- PSU.0016.0
- PSU.0017.0
- PSU.0018.0
- PSU.0020.0
- PSU.0021.0
- PSU.0030.0

Interfaccia DMX
DMX interface

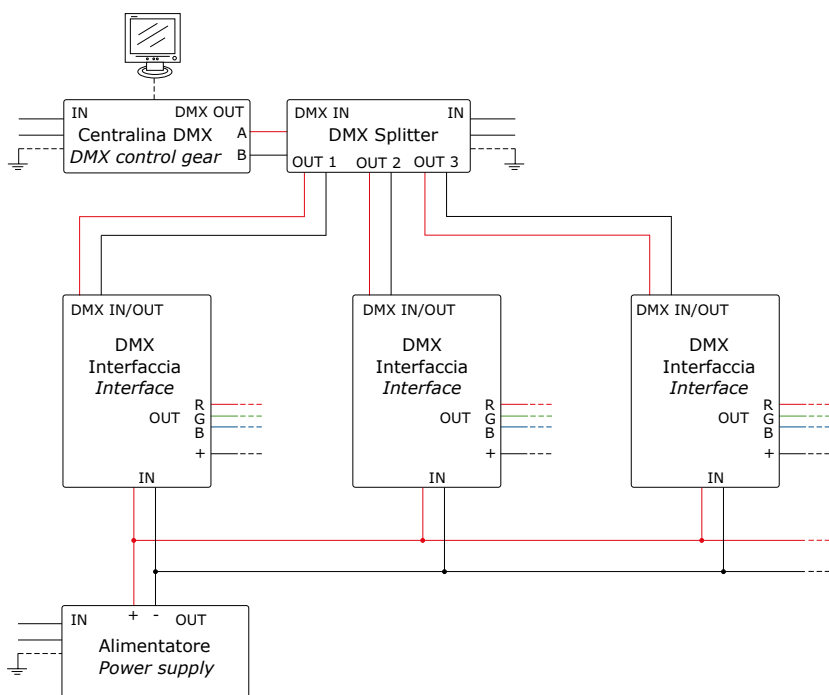
ECG.0007.0

Centralina DMX
DMX control gear

ECG.0001.0 *

* PC richiesto solo per la programmazione / PC only needed for programming

O1 DMX - Collegamento Splitter
DMX - Splitter connection



Centralina DMX
DMX control gear

ECG.0001.0 *

Splitter DMX
DMX Splitter

ECG.0010.0

Interfaccia DMX
DMX interface

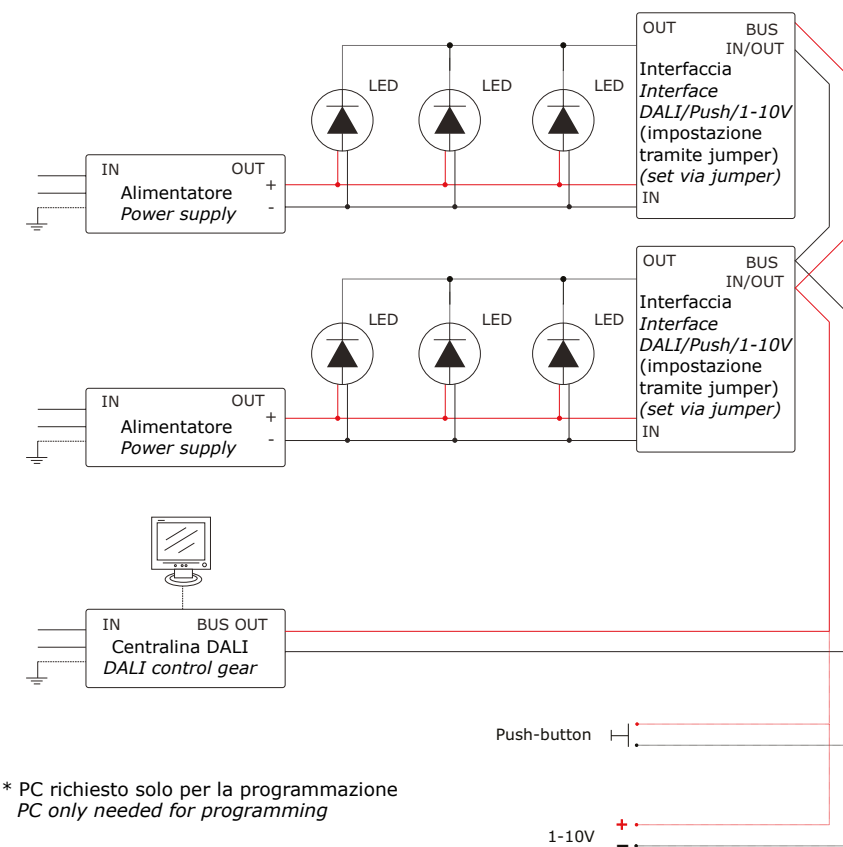
ECG.0006.0
 ECG.0011.0*

Codici alimentatori
Power supply codes
24 Vdc

- PSU.0001.0
- PSU.0005.0
- PSU.0006.0
- PSU.0007.0
- PSU.0008.0
- PSU.0009.0
- PSU.0010.0
- PSU.0011.0
- PSU.0012.0
- PSU.0013.0
- PSU.0014.0
- PSU.0015.0
- PSU.0016.0
- PSU.0017.0
- PSU.0018.0
- PSU.0020.0
- PSU.0021.0
- PSU.0030.0

* PC richiesto solo per la programmazione / PC only needed for programming

P1 DALI - Collegamento in parallelo per sistemi monocromatici a 24 Vdc dimmerabili
DALI - Parallel connection for 24 Vdc dimmable monochromatic systems



Codici alimentatori
Power supply codes
24 Vdc

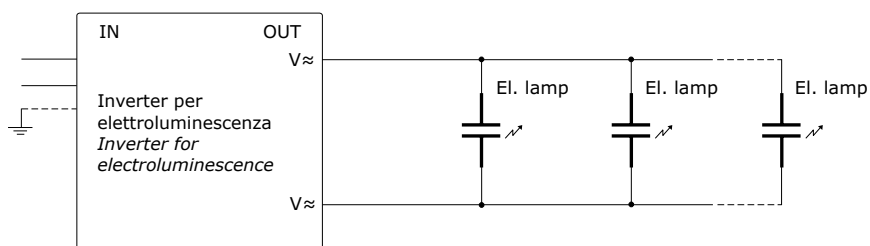
- PSU.0001.0
- PSU.0005.0
- PSU.0006.0
- PSU.0007.0
- PSU.0008.0
- PSU.0009.0
- PSU.0010.0
- PSU.0011.0
- PSU.0012.0
- PSU.0013.0
- PSU.0014.0
- PSU.0015.0
- PSU.0016.0
- PSU.0017.0
- PSU.0018.0
- PSU.0020.0
- PSU.0021.0
- PSU.0030.0

Convertitore DALI
DALI converter

ECG.0016.0*

* PC richiesto solo per la programmazione
 PC only needed for programming

Q1 Collegamento in parallelo per elettroluminescenza
Parallel connection for electroluminescence



Codici inverter
Inverter codes

- PSU.0031.0
- PSU.0032.0
- PSU.0033.0