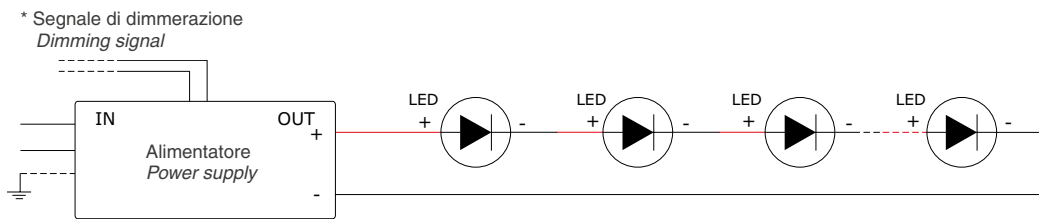


A1 COLLEGAMENTO IN SERIE PER LED IN CORRENTE COSTANTE SERIES CONNECTION FOR CONSTANT CURRENT LED

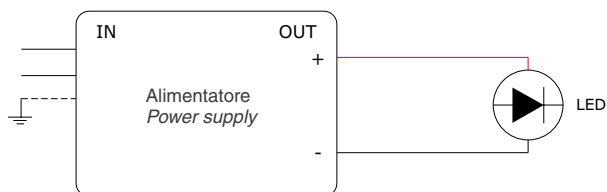


Codici alimentatori Power supply units

350 mA	500 mA
PSU.0001.0	PSU.0001.0
PSU.0023.0	PSU.0002.0
PSU.0024.0	PSU.0003.0
PSU.0025.0	PSU.0004.0
PSU.0026.0	PSU.0022.0
PSU.0027.0	PSU.0028.0
PSU.0030.0	PSU.0030.0
	PSU.0034.0

* Versione dimmerabile / Dimmable version

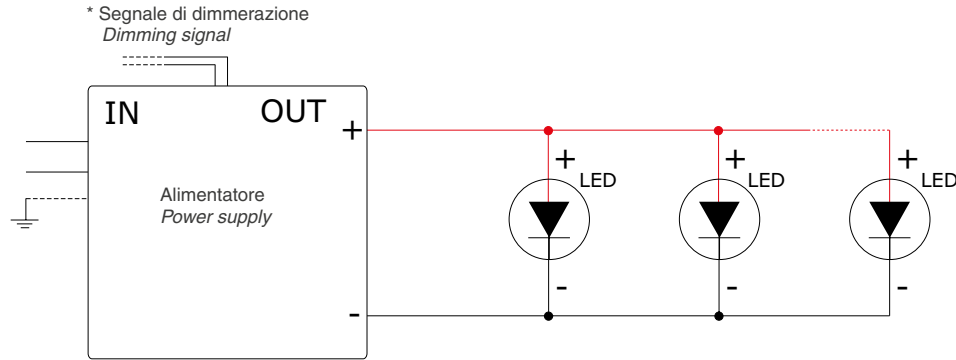
B1 COLLEGAMENTO PER 1 COB LED CORRENTE COSTANTE CONNECTION FOR 1 COB LED CONSTANT CURRENT



Codici alimentatori Power supply units

350 mA	500 mA
PSU.0001.0	PSU.0001.0
PSU.0023.0	PSU.0022.0
PSU.0024.0	PSU.0028.0
PSU.0025.0	PSU.0030.0
PSU.0026.0	PSU.0034.0
PSU.0030.0	

**C1 COLLEGAMENTO IN PARALLELO CON ALIMENTATORI A TENSIONE COSTANTE
PARALLEL CONNECTION FOR CONSTANT VOLTAGE POWER SUPPLY**



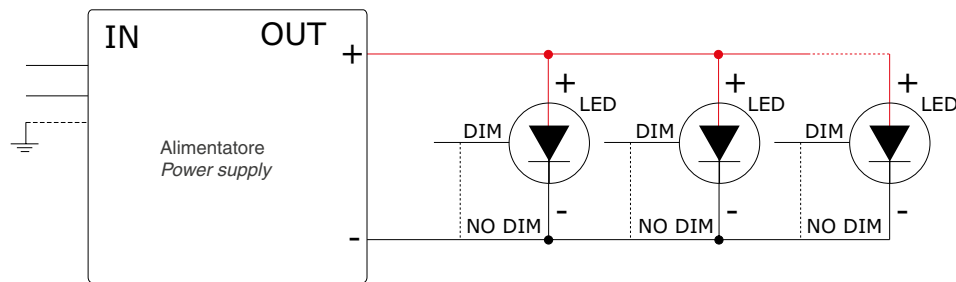
* Versione dimmerabile / Dimmable version

**Codici alimentatori
Power supply units**

24 Vdc

- PSU.0001.0
- PSU.0005.0
- PSU.0006.0
- PSU.0007.0
- PSU.0008.0
- PSU.0009.0
- PSU.0010.0
- PSU.0011.0
- PSU.0012.0
- PSU.0013.0
- PSU.0014.0
- PSU.0015.0
- PSU.0016.0
- PSU.0017.0
- PSU.0018.0
- PSU.0020.0
- PSU.0021.0
- PSU.0030.0

**D1 COLLEGAMENTO IN PARALLELO CON ALIMENTATORI A TENSIONE COSTANTE DIMMERABILE
PARALLEL CONNECTION FOR CONSTANT VOLTAGE POWER SUPPLY DIMMABLE**



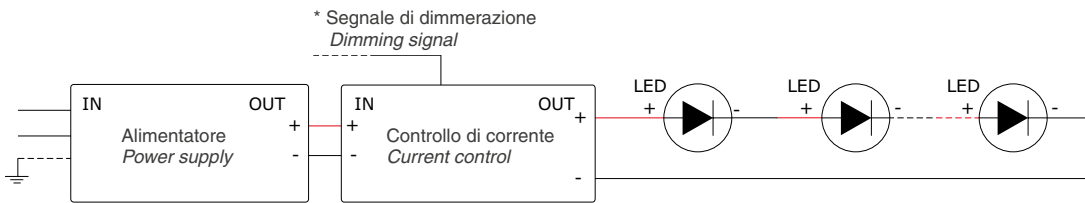
**Codici alimentatori
Power supply units**

24 Vdc

- PSU.0001.0
- PSU.0005.0
- PSU.0006.0
- PSU.0007.0
- PSU.0008.0
- PSU.0009.0
- PSU.0010.0
- PSU.0011.0
- PSU.0012.0
- PSU.0013.0
- PSU.0014.0
- PSU.0015.0
- PSU.0016.0
- PSU.0017.0
- PSU.0018.0
- PSU.0020.0
- PSU.0021.0
- PSU.0030.0

* Versione dimmerabile (collegare il segnale di dimmerazione all'uscita del dispositivo dimmer cod. ECG.0002.0, ECG.0003.0 o dell'interfaccia DMX cod. ECG.0011.0 o ECG.0006.0 o del convertitore DALI cod. ECG.0028.0)
 * Dimmable version (connect the dimmable signal to the output of the dimmer device cod. ECG.0002.0, ECG.0003.0 or to the DMX interface cod. ECG.0011.0 or ECG.0006.0 or to the DALI converter cod. ECG.0028.0)
Nota: In caso di non dimmerazione collegare il cavo DIM al negativo
Remark: In case of non-dimming connect the DIM cable to the negative

E1 COLLEGAMENTO IN SERIE CON CONTROLLO DI CORRENTE PER LED IN CORRENTE COSTANTE SERIES CONNECTION WITH CURRENT CONTROL FOR CONSTANT CURRENT LED



* Versione dimmerabile (collegare il segnale di dimmerazione all'uscita del dispositivo dimmer cod. ECG.0002.0, ECG.0003.0 o dell'interfaccia DMX cod. ECG.0011.0 o ECG.0006.0 o del convertitore DALI cod. ECG.0028.0)

* Dimmable version (connect the dimmable signal to the output of the dimmer device cod. ECG.0002.0, ECG.0003.0, to the DMX interface cod. ECG.0011.0 or ECG.0006.0 or to the DALI converter cod. ECG.0028.0)

Codici alimentatori Power supply units

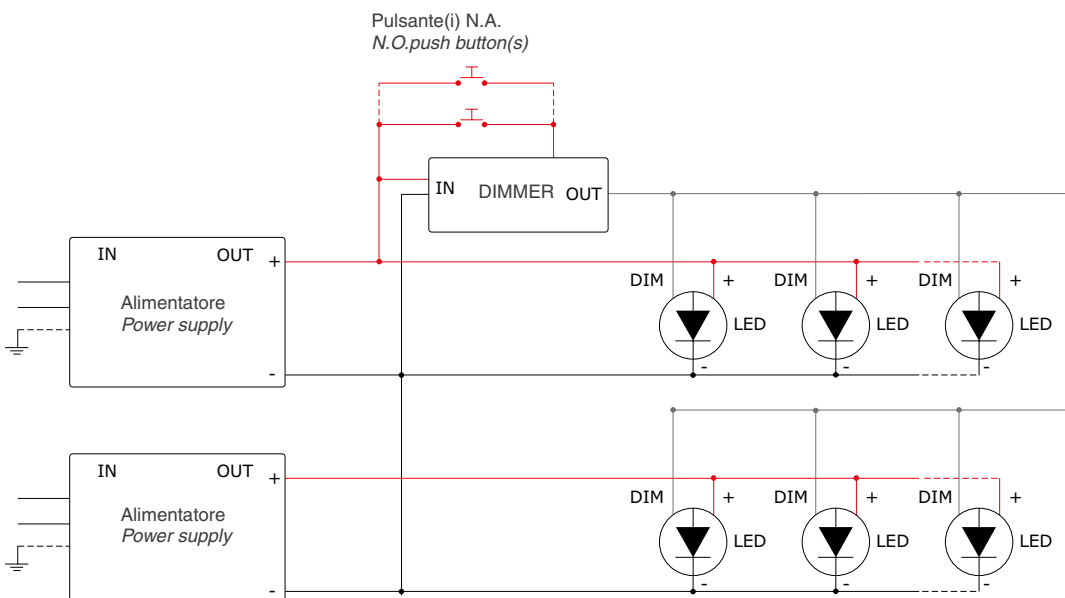
24 Vdc

PSU.0001.0
PSU.0005.0
PSU.0006.0
PSU.0007.0
PSU.0008.0
PSU.0009.0
PSU.0010.0
PSU.0011.0
PSU.0012.0
PSU.0013.0
PSU.0014.0
PSU.0015.0
PSU.0016.0
PSU.0017.0
PSU.0018.0
PSU.0020.0
PSU.0021.0
PSU.0030.0

Codici controllo di corrente Current control codes

350 mA 500 mA
ECG.0012.0* ECG.0014.0*

F1 COLLEGAMENTO IN PARALLELO PER DISPOSITIVI "DIMMER" PARALLEL CONNECTION FOR "DIMMER" DEVICES



Codici alimentatori Power supply units

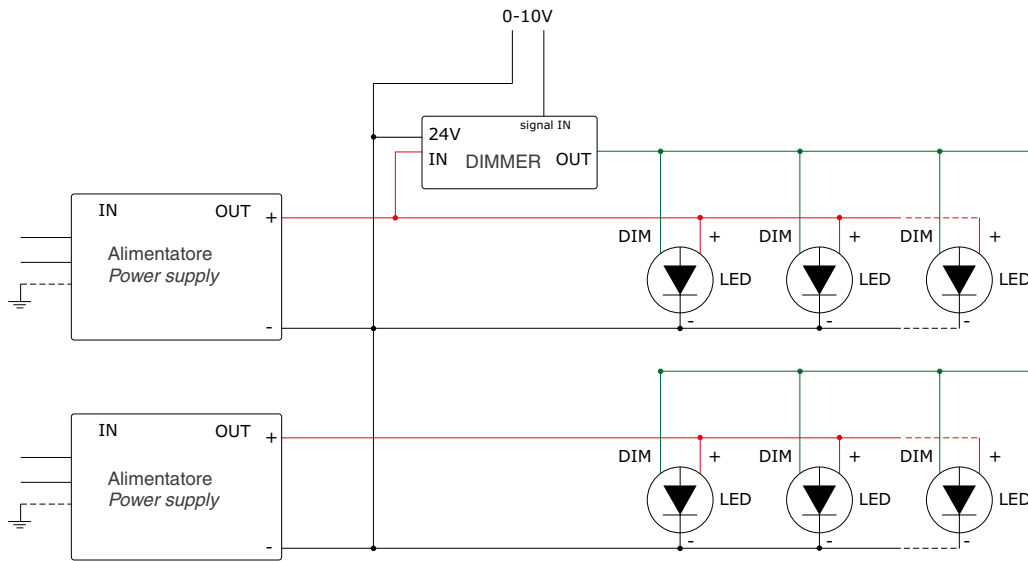
24 Vdc

PSU.0001.0
PSU.0005.0
PSU.0006.0
PSU.0007.0
PSU.0008.0
PSU.0009.0
PSU.0010.0
PSU.0011.0
PSU.0012.0
PSU.0013.0
PSU.0014.0
PSU.0015.0
PSU.0016.0
PSU.0017.0
PSU.0018.0
PSU.0020.0
PSU.0021.0
PSU.0030.0

Codice DIMMER DIMMER code

ECG.0003.0

G1 COLLEGAMENTO IN PARALLELO PER DISPOSITIVI "DIMMER"
PARALLEL CONNECTION FOR "DIMMER" DEVICES



Codici alimentatori
Power supply units

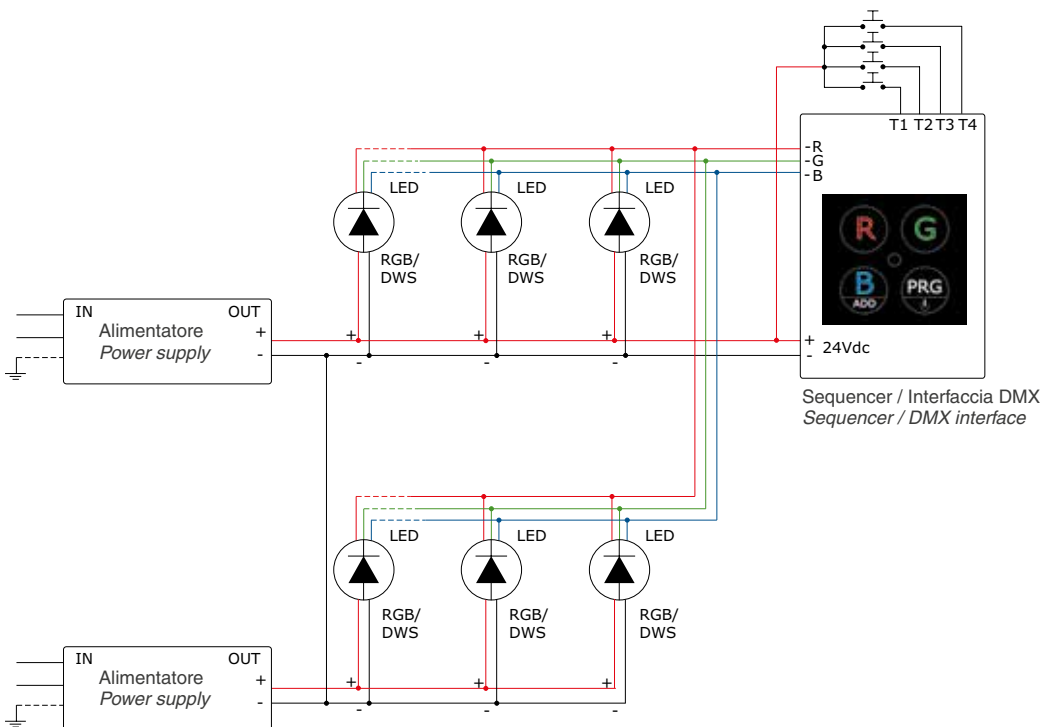
24 Vdc

- PSU.0001.0
- PSU.0005.0
- PSU.0006.0
- PSU.0007.0
- PSU.0008.0
- PSU.0009.0
- PSU.0010.0
- PSU.0011.0
- PSU.0012.0
- PSU.0013.0
- PSU.0014.0
- PSU.0015.0
- PSU.0016.0
- PSU.0017.0
- PSU.0018.0
- PSU.0020.0
- PSU.0021.0
- PSU.0030.0

Codice DIMMER
DIMMER code

ECG.0002.0

H1 COLLEGAMENTO IN PARALLELO PER SISTEMI SEQUENCER
PARALLEL CONNECTION FOR SYSTEMS WITH SEQUENCER



Codici alimentatori
Power supply units

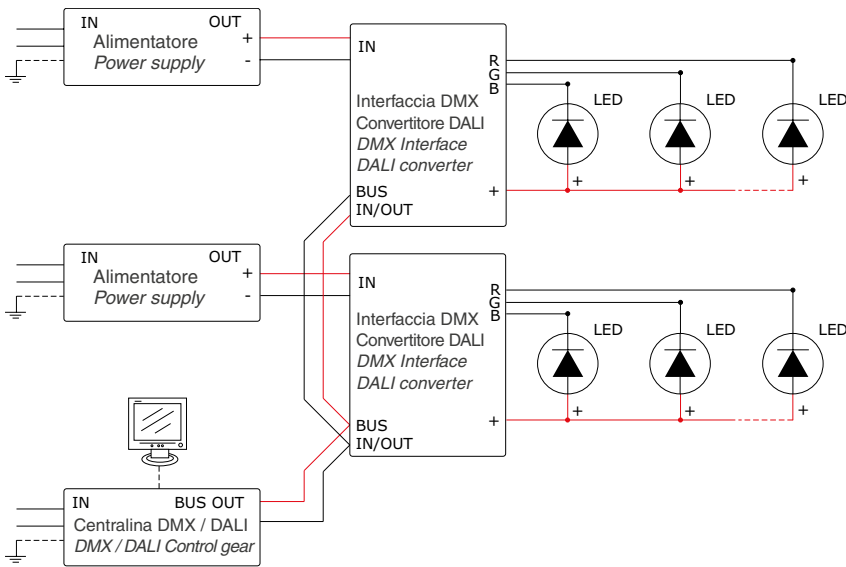
24 Vdc

- PSU.0001.0
- PSU.0005.0
- PSU.0006.0
- PSU.0007.0
- PSU.0008.0
- PSU.0009.0
- PSU.0010.0
- PSU.0011.0
- PSU.0012.0
- PSU.0013.0
- PSU.0014.0
- PSU.0015.0
- PSU.0016.0
- PSU.0017.0
- PSU.0018.0
- PSU.0020.0
- PSU.0021.0
- PSU.0030.0

Codice sequencer
sequencer code

ECG.0011.0

I1 DMX/DALI - COLLEGAMENTO IN PARALLELO PER SISTEMI MONOCROMATICI DMX/DALI - PARALLEL CONNECTION FOR MONOCHROMATIC SYSTEMS



Interfaccia DMX DMX interface

ECG.0006.0
ECG.0011.0

Centralina DMX DMX control gear

ECG.0001.0*

Convertitore DALI DALI converter

ECG.0028.0

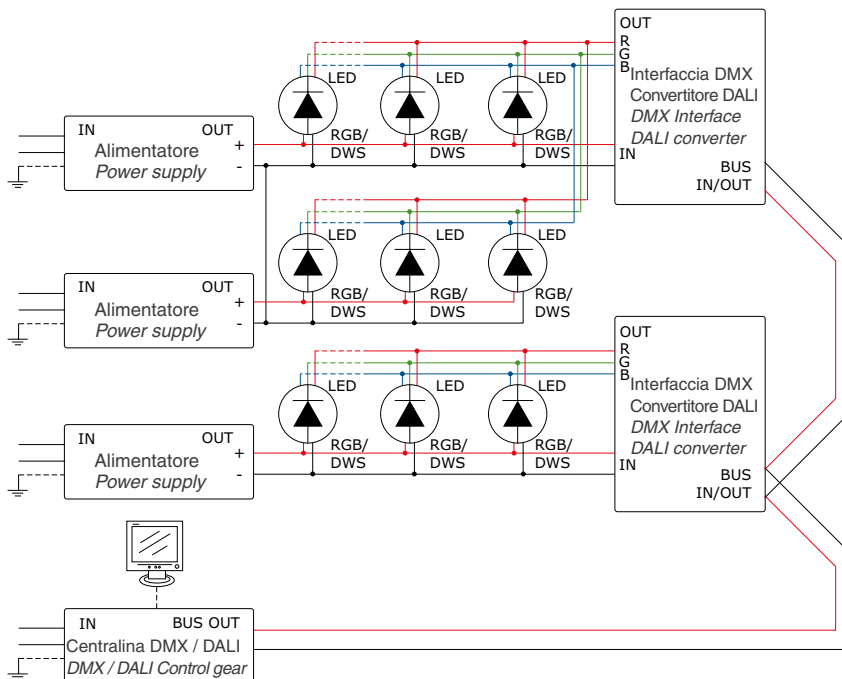
Codici alimentatori Power supply units

24 Vdc

PSU.0001.0
PSU.0005.0
PSU.0006.0
PSU.0007.0
PSU.0008.0
PSU.0009.0
PSU.0010.0
PSU.0011.0
PSU.0012.0
PSU.0013.0
PSU.0014.0
PSU.0015.0
PSU.0016.0
PSU.0017.0
PSU.0018.0
PSU.0020.0
PSU.0021.0
PSU.0030.0

* PC richiesto solo per la programmazione / PC only needed for programming

J1 DMX/DALI - COLLEGAMENTO IN PARALLELO PER SISTEMI RGB/DWS 24 Vdc DIMMERABILI DMX/DALI - PARALLEL CONNECTION FOR RGB/DWS 24 Vdc DIMMABLE SYSTEMS



Interfaccia DMX DMX interface

ECG.0006.0
ECG.0011.0

Centralina DMX DMX control gear

ECG.0001.0*

Convertitore DALI DALI converter

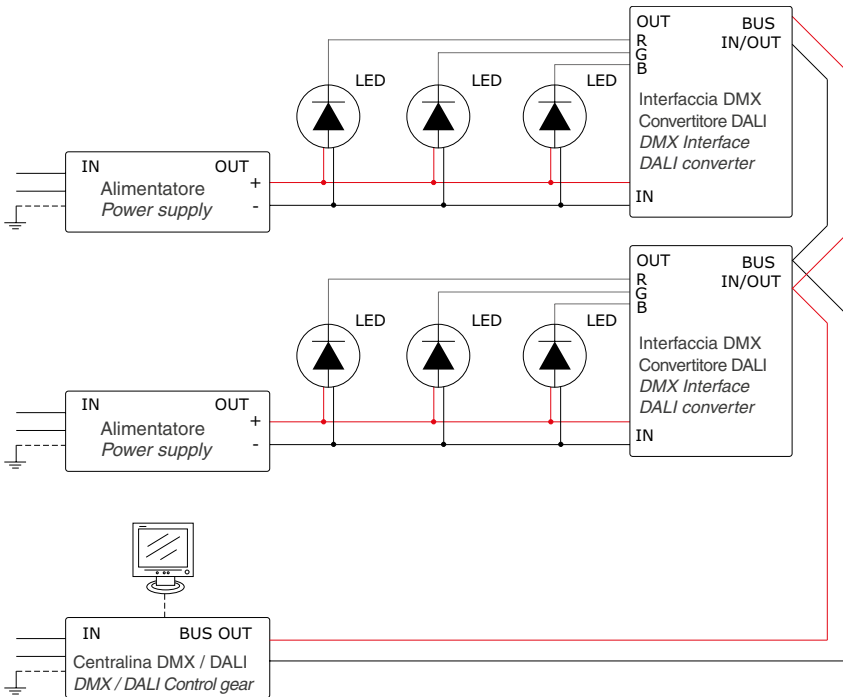
ECG.0028.0

Codici alimentatori Power supply units

24 Vdc

PSU.0001.0
PSU.0005.0
PSU.0006.0
PSU.0007.0
PSU.0008.0
PSU.0009.0
PSU.0010.0
PSU.0011.0
PSU.0012.0
PSU.0013.0
PSU.0014.0
PSU.0015.0
PSU.0016.0
PSU.0017.0
PSU.0018.0
PSU.0020.0
PSU.0021.0
PSU.0030.0

K1 DMX/DALI - COLLEGAMENTO IN PARALLELO PER SISTEMI MONOCROMATICI A 24 Vdc DIMMERABILI
DMX/DALI - PARALLEL CONNECTION FOR 24 Vdc DIMMABLE MONOCHROMATIC SYSTEMS



**Interfaccia DMX
DMX interface**

- ECG.0006.0
- ECG.0011.0

**Centralina DMX
DMX control gear**

- ECG.0001.0*

**Convertitore DALI
DALI converter**

- ECG.0028.0

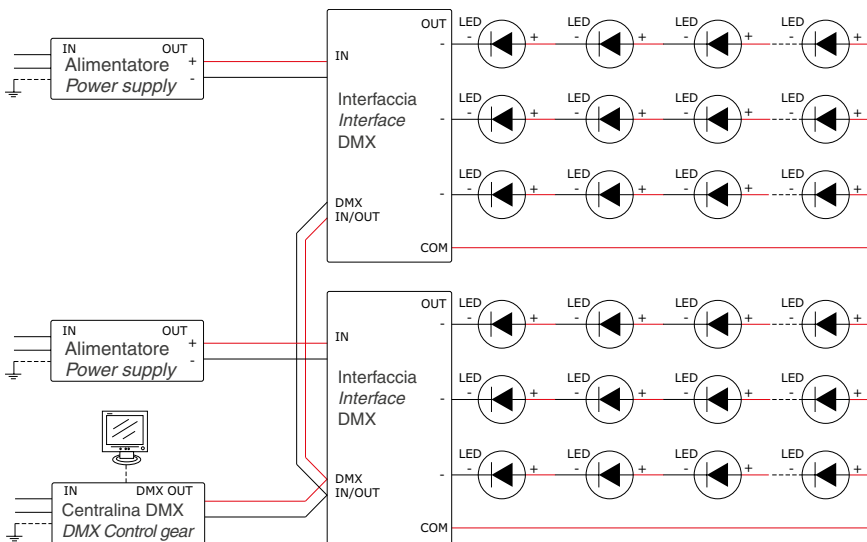
**Codici alimentatori
Power supply units**

24 Vdc

- PSU.0001.0
- PSU.0005.0
- PSU.0006.0
- PSU.0007.0
- PSU.0008.0
- PSU.0009.0
- PSU.0010.0
- PSU.0011.0
- PSU.0012.0
- PSU.0013.0
- PSU.0014.0
- PSU.0015.0
- PSU.0016.0
- PSU.0017.0
- PSU.0018.0
- PSU.0020.0
- PSU.0021.0
- PSU.0030.0

* PC richiesto solo per la programmazione / PC only needed for programming

L1 DMX - COLLEGAMENTO IN SERIE PER LED IN CORRENTE COSTANTE
DMX - SERIES CONNECTION FOR CONSTANT CURRENT LED



**Interfaccia DMX
DMX interface
350 mA**

- ECG.0005.0

**Interfaccia DMX
DMX interface
500 mA**

- ECG.0008.0

**Centralina DMX
DMX control gear**

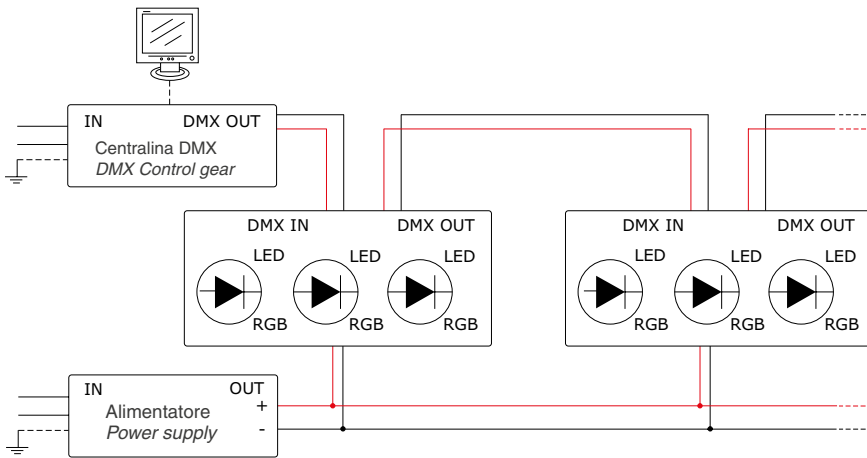
- ECG.0001.0

**Codici alimentatori
Power supply units**

24 Vdc

- PSU.0001.0
- PSU.0005.0
- PSU.0006.0
- PSU.0007.0
- PSU.0008.0
- PSU.0009.0
- PSU.0010.0
- PSU.0011.0
- PSU.0012.0
- PSU.0013.0
- PSU.0014.0
- PSU.0015.0
- PSU.0016.0
- PSU.0017.0
- PSU.0018.0
- PSU.0020.0
- PSU.0021.0
- PSU.0030.0

* PC richiesto solo per la programmazione / PC only needed for programming

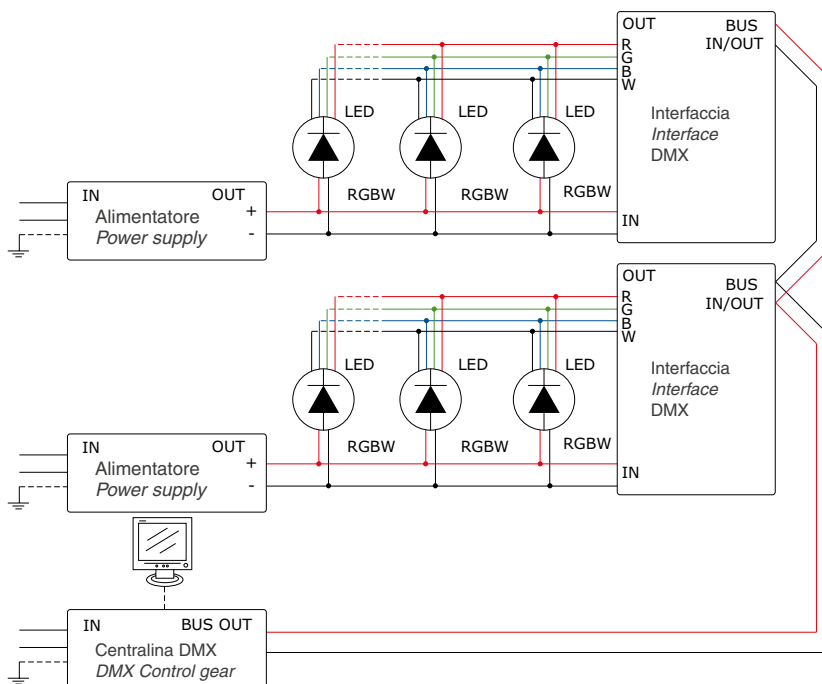
M1 DMX - COLLEGAMENTO IN PARALLELO PER SISTEMI RGB MOVE
DMX - PARALLEL CONNECTION FOR RGB MOVE SYSTEMS


Centralina DMX
DMX control gear
ECG.0001.0*

Codici alimentatori
Power supply units

24 Vdc
PSU.0001.0
PSU.0005.0
PSU.0006.0
PSU.0007.0
PSU.0008.0
PSU.0009.0
PSU.0010.0
PSU.0011.0
PSU.0012.0
PSU.0013.0
PSU.0014.0
PSU.0015.0
PSU.0016.0
PSU.0017.0
PSU.0018.0
PSU.0020.0
PSU.0021.0
PSU.0030.0

* PC richiesto solo per la programmazione / PC only needed for programming

N1 DMX - COLLEGAMENTO IN PARALLELO PER SISTEMI RGBW 24 Vdc DIMMERABILI
DMX - PARALLEL CONNECTION FOR RGBW 24 Vdc DIMMABLE SYSTEMS


Interfaccia DMX
DMX interface
ECG.0007.0

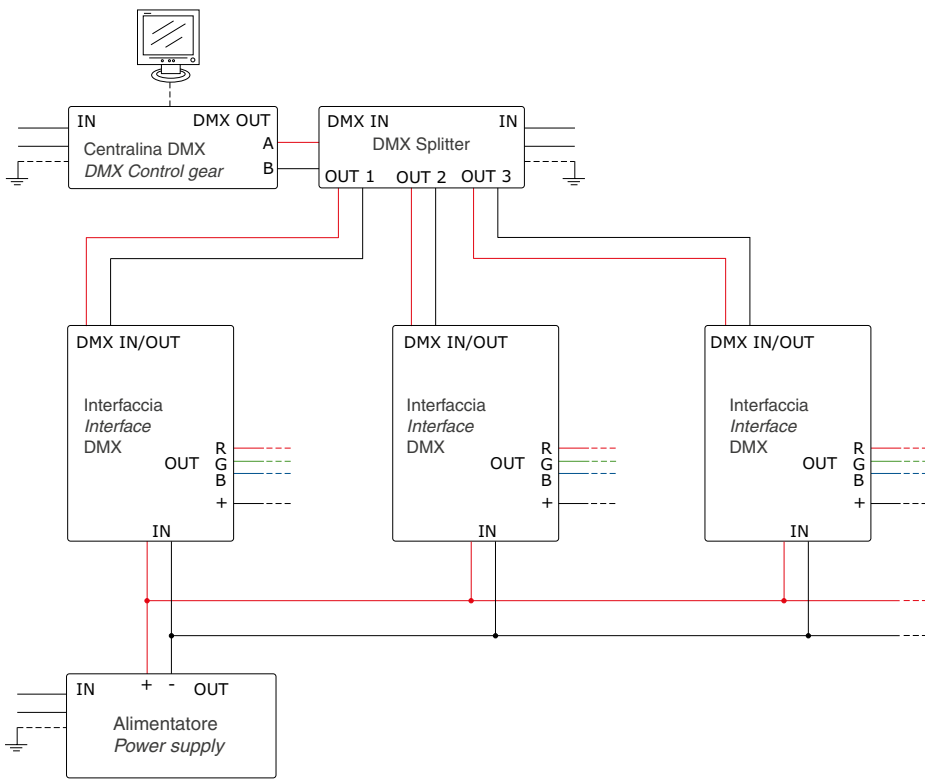
Centralina DMX
DMX control gear
ECG.0001.0*

Codici alimentatori
Power supply units

24 Vdc
PSU.0001.0
PSU.0005.0
PSU.0006.0
PSU.0007.0
PSU.0008.0
PSU.0009.0
PSU.0010.0
PSU.0011.0
PSU.0012.0
PSU.0013.0
PSU.0014.0
PSU.0015.0
PSU.0016.0
PSU.0017.0
PSU.0018.0
PSU.0020.0
PSU.0021.0
PSU.0030.0

* PC richiesto solo per la programmazione / PC only needed for programming

01 DMX - COLLEGAMENTO SPLITTER
DMX - SPLITTER CONNECTION



Centralina DMX
DMX control gear
ECG.0001.0*

Splitter DMX
DMX Splitter
ECG.0010.0

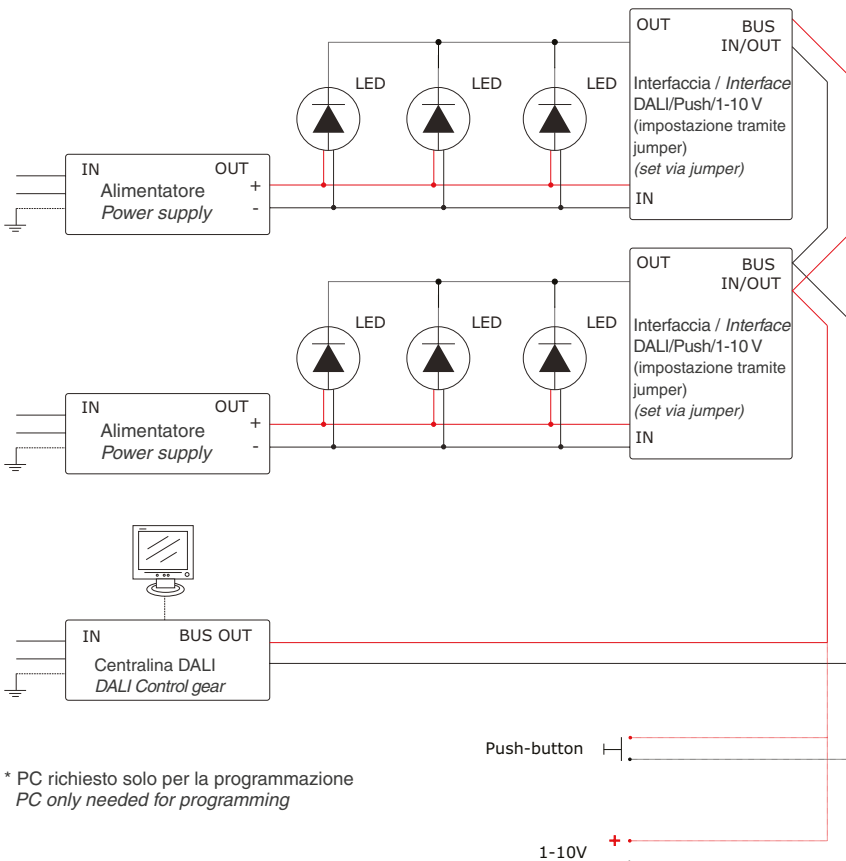
Interfaccia DMX
DMX interface
ECG.0006.0
ECG.0011.0*

Codici alimentatori
Power supply units
24 Vdc

- PSU.0001.0
- PSU.0005.0
- PSU.0006.0
- PSU.0007.0
- PSU.0008.0
- PSU.0009.0
- PSU.0010.0
- PSU.0011.0
- PSU.0012.0
- PSU.0013.0
- PSU.0014.0
- PSU.0015.0
- PSU.0016.0
- PSU.0017.0
- PSU.0018.0
- PSU.0020.0
- PSU.0021.0
- PSU.0030.0

* PC richiesto solo per la programmazione / PC only needed for programming

P1 DALI - COLLEGAMENTO IN PARALLELO PER SISTEMI MONOCROMATICI A 24 Vdc DIMMERABILI
DALI - PARALLEL CONNECTION FOR 24 Vdc DIMMABLE MONOCHROMATIC SYSTEMS



Convertitore DALI
DALI converter
ECG.0016.0*

Codici alimentatori
Power supply units
24 Vdc

- PSU.0001.0
- PSU.0005.0
- PSU.0006.0
- PSU.0007.0
- PSU.0008.0
- PSU.0009.0
- PSU.0010.0
- PSU.0011.0
- PSU.0012.0
- PSU.0013.0
- PSU.0014.0
- PSU.0015.0
- PSU.0016.0
- PSU.0017.0
- PSU.0018.0
- PSU.0020.0
- PSU.0021.0
- PSU.0030.0

* PC richiesto solo per la programmazione
PC only needed for programming