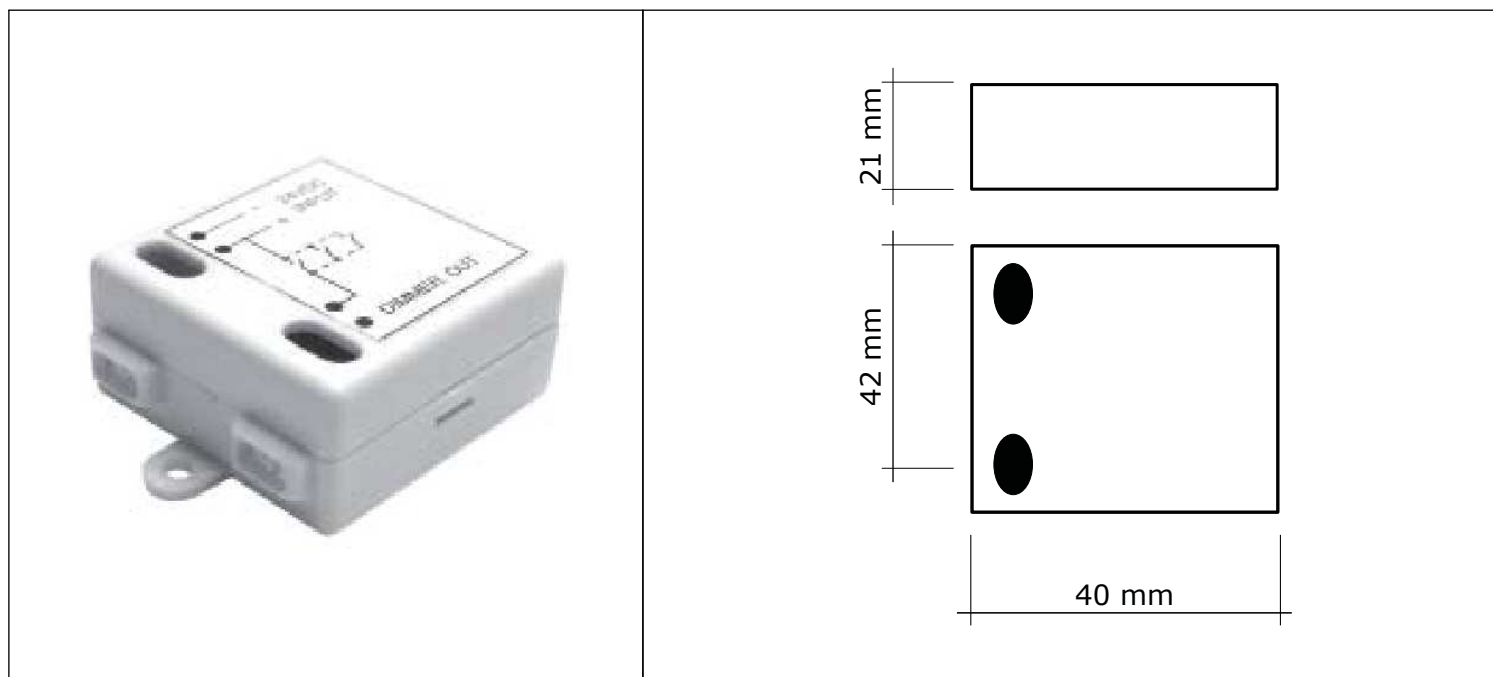


ECG.0002.0
DATA-SHEET



PRODUCT DESCRIPTION:

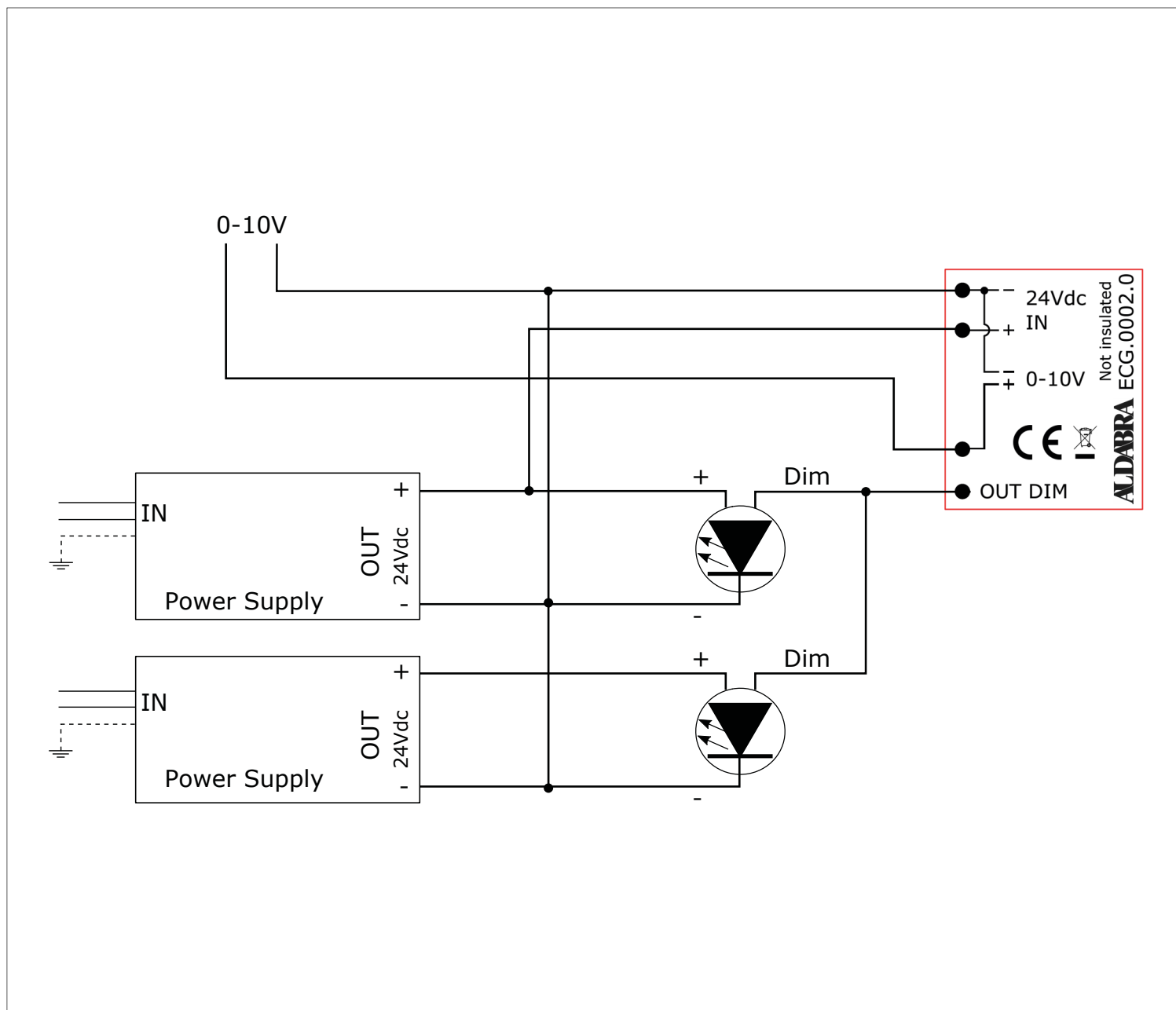
Dimmer for linear system, spot and downlights family.
This device is suitable for 24Vdc supply fixtures.

TECHNICALS FEATURES:

power supply	24 Vdc
max output current	1 channels max 1A
control input	0-10V
dimming range	0,1%-100%
working temperature	-20 ÷ 40 °C
expected lifetime	>100000h
protection class	IP20
max connecting wire cross section	1,5 mm ²
dimensions (LxWxH)	40x42x21 mm
weight	40g



ECG.0002.0
DATA-SHEET



OPERATING MODE:

Can use a commercial active dimmer 0-10V or a control gear with output 0-10V double insulated from the mains.