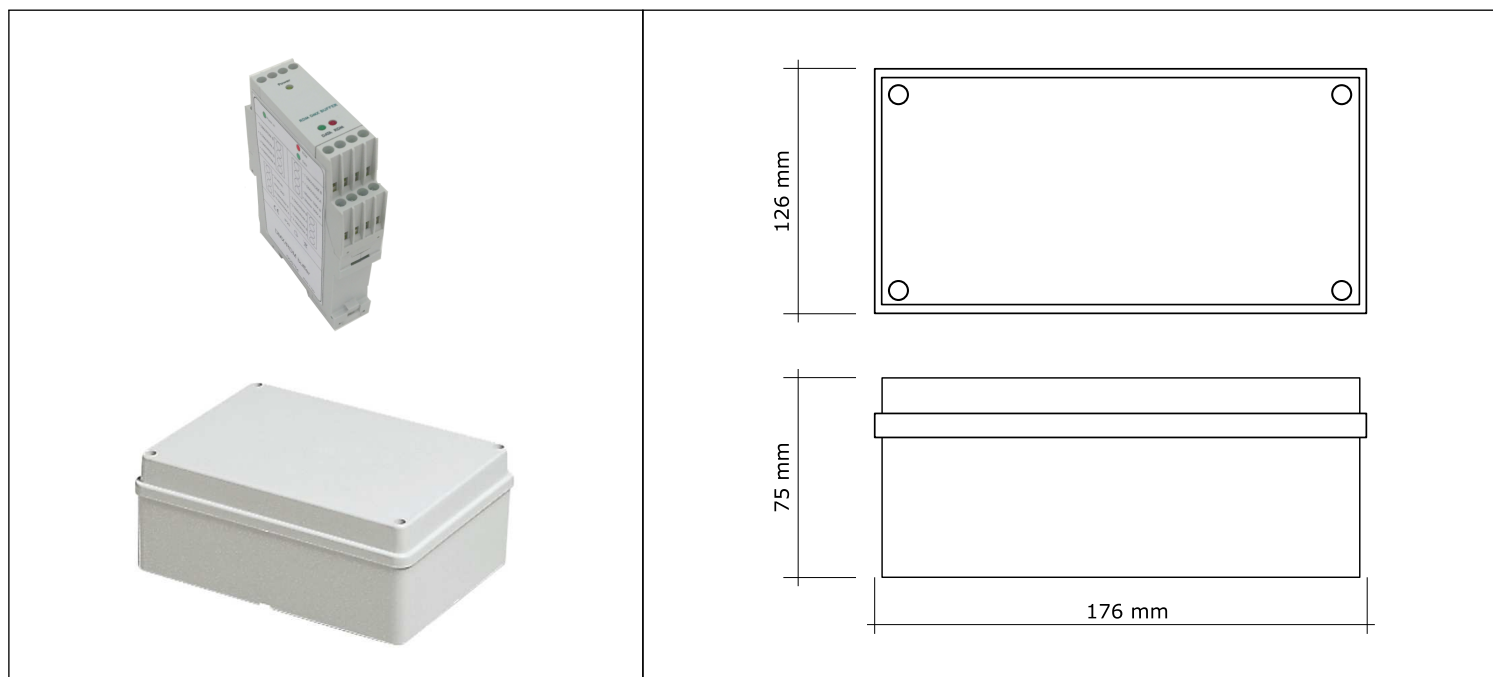


ECG.0010.1
DATA-SHEET



PRODUCT DESCRIPTION:

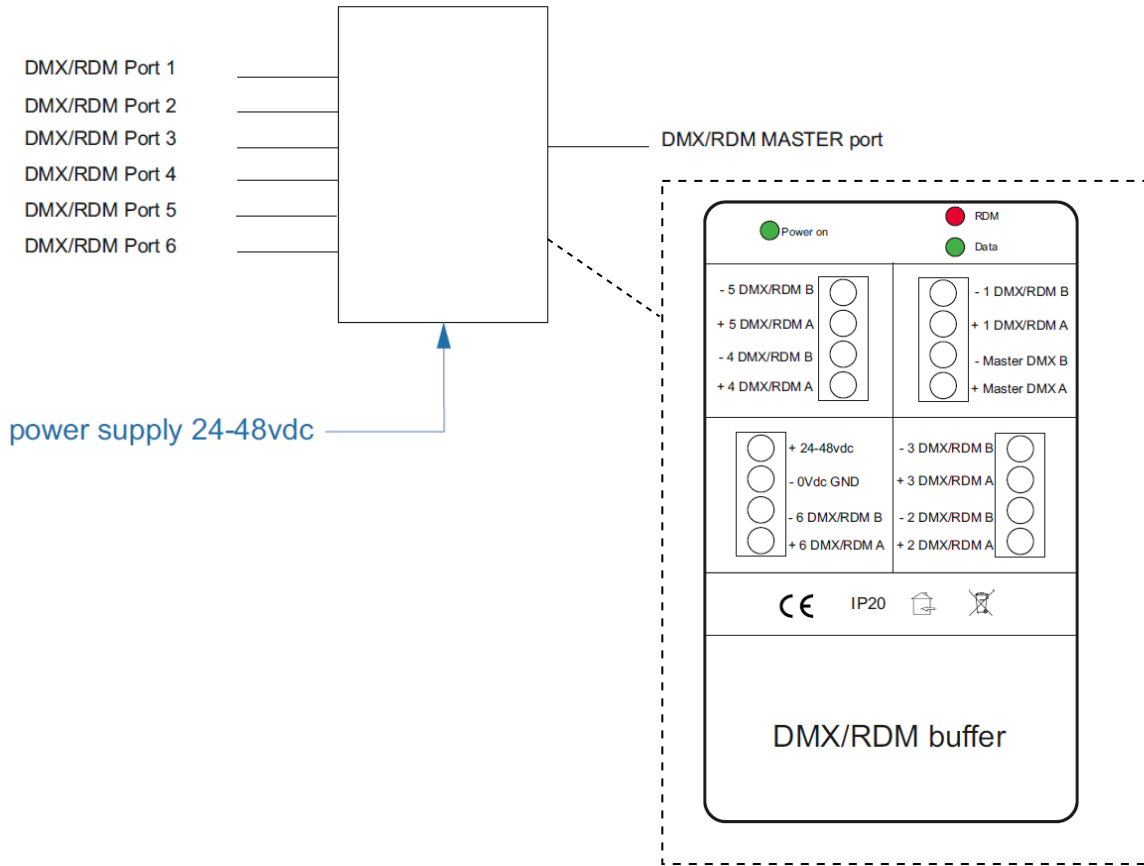
ECG.0010.1 it is a active buffer RDM/DMX that can be used as DMX amplifier compatible with RDM. Each one of 6 port is optoinsulated and can control 32 devices and up to 600mt DMX cable, in according with standard USITT DMX. Each port is protected form short circuit all port can work indipendentelely . The RDM data transmission is controlled by special software, that filter any noise or false data, avoiding trasmission if the data are not corrected.

TECHNICALS FEATURES:

supply voltage	24-48Vdc
number input	1 x DMX 512
number output	6 x DMX 512
ambient temperature	-10°C ; +70°C
max case temperature	+65°C
expected lifetime (at Tc<=75°C)	>100000h
protection class	IP20
max connecting wire cross section	1,5 mm ²
dimensions (LxWxH)	176x126x75 mm
weight	50g + 150g (box IP67)



ECG.0010.1
DATA-SHEET



Correct multiple splitter application

