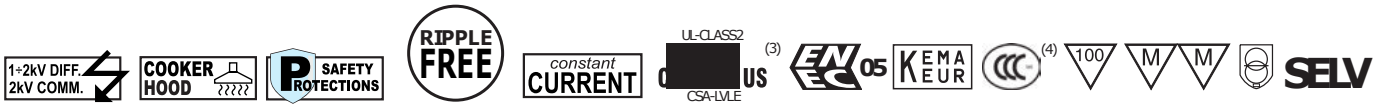
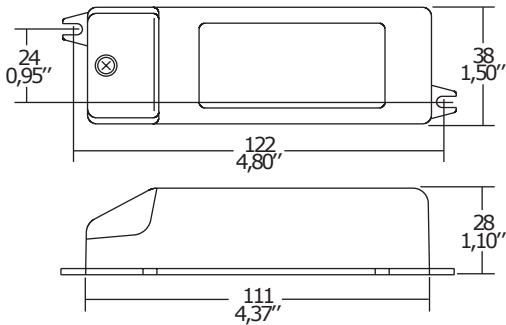


PSU.0004.0



	P _{out} W	V _{out} DC	I _{out} DC	V _{out} max	t _a °C	t _c °C	I max Power Factor	η max Efficiency ⁽¹⁾
	20 (12 ⁽³⁾)	3...40	500 mA cost.	45	-25...+45	80	0,57 C	> 86



Rated Voltage

Tensione Nominale

110 ÷ 127 V⁽³⁾

110 ÷ 240 V

Frequency

Frequenza

50...60 Hz

AC Operation range

Tensione di utilizzo AC

100 ÷ 264 V

DC Operation range

Tensione di utilizzo DC

176 ÷ 264 V

Power

Potenza

0 ÷ 22 W

Output current ripple

≤ 3%⁽¹⁾

Reference Norms

Norme di riferimento

CSA C22.2 no. 223

EN 50172 (VDE0108)

EN 55015

EN 60335-1

EN 61000-3-2

EN 61000-3-3

EN 61347-1

EN 61347-2-13

EN 61547

EN 62384

UL 1310

VDE 0710 T14

In rush current

27A 250µsec

Features

- Double output impedance for use in household electrical appliances.
- IP20 independent driver, for indoor use.
- Class II protection against electric shock for direct or indirect contact.
- Current regulation ± 5% including temperature variations.
- Supplied with terminal cover and cable retainer.
- Input and output terminal blocks on the same side (wire cross-section up to 2,5 mm² / AWG13).
- Single terminal block on primary and secondary circuits.
- Clamping screws on primary and secondary circuits for cables with diameter: min. 3 mm - max. 8 mm.
- Driver can be secured with slot for screws.
- Protections:
 - against overheating and short circuits;
 - against mains voltage spikes;
 - against overloads.

