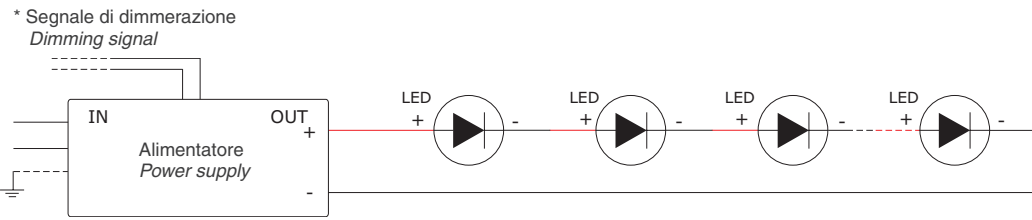


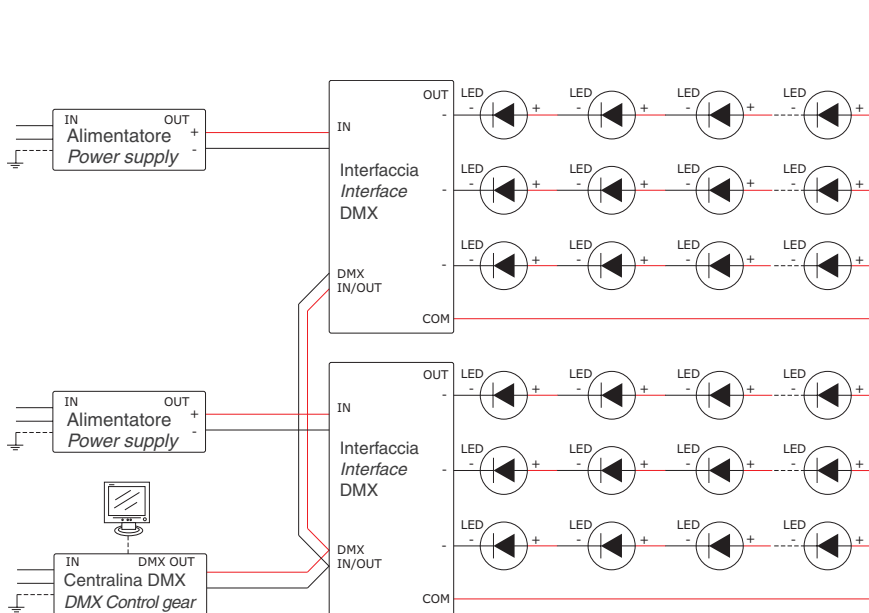
A1 COLLEGAMENTO IN SERIE PER LED IN CORRENTE COSTANTE
SERIES CONNECTION FOR CONSTANT CURRENT LED



Codici alimentatori Power supply units	
350 mA	500 mA
PSU.0001.0	PSU.0001.0
PSU.0023.0	PSU.0002.0
PSU.0024.0	PSU.0003.0
PSU.0025.0	PSU.0004.0
PSU.0026.0	PSU.0022.0
PSU.0027.0	PSU.0028.0
PSU.0030.0	PSU.0030.0
	PSU.0034.0

* Versione dimmerabile / Dimmable version

L1 DMX - COLLEGAMENTO IN SERIE PER LED IN CORRENTE COSTANTE
DMX - SERIES CONNECTION FOR CONSTANT CURRENT LED



Interfaccia DMX DMX interface 350 mA	Codici alimentatori Power supply units	
ECG.0005.0	24 Vdc	
	PSU.0001.0	
	PSU.0005.0	
	PSU.0006.0	
	PSU.0007.0	
	PSU.0008.0	
	PSU.0009.0	
	PSU.0010.0	
	PSU.0011.0	
	PSU.0012.0	
	PSU.0013.0	
	PSU.0014.0	
Interfaccia DMX DMX interface 500 mA	PSU.0015.0	
ECG.0008.0	PSU.0016.0	
	PSU.0017.0	
	PSU.0018.0	
	PSU.0020.0	
	PSU.0021.0	
	PSU.0030.0	
	Centralina DMX DMX control gear	
	ECG.0001.0	

* PC richiesto solo per la programmazione / PC only needed for programming