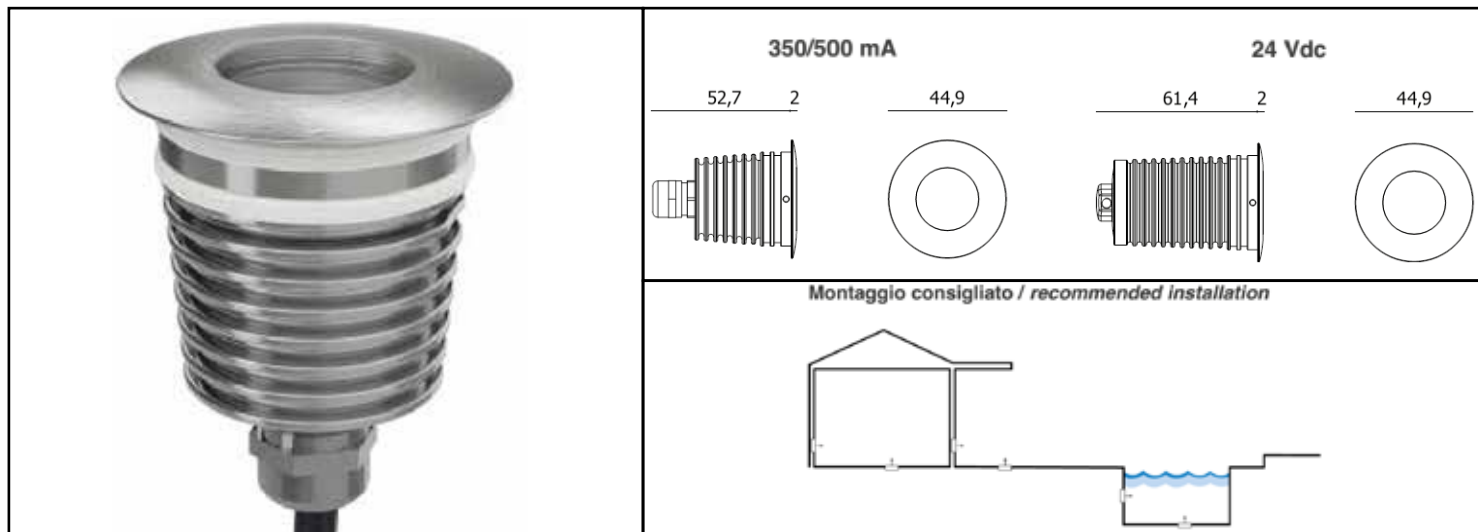


## YOR Monochromatic DATA-SHEET



### PRODUCT DESCRIPTION:

Recessed professional fixed fixture suitable for indoor, outdoor and underwater settings. Body stainless steel AISI 316L and tempered transparent or satin flat glass. All the materials are suitable for use in swimming pools, fountains and with salt water. UV resistance of all materials.

### TECHNICALS FEATURES:

|                                 |  |
|---------------------------------|--|
| <b>Materials</b>                | Stainless steel inox AISI 316L ; tempered transparent or satin flat glass  |
| <b>Front Finishes</b>           | Satin stainless steel inox Aisi 316 L  |
| <b>Power Supply</b>             | 350-500mA constant current or 24 Vdc constant voltage (±5%)  |
| <b>Power</b>                    | 1 W @350 mA - 1,5 W @500 mA - 2 W @24 Vdc  |
| <b>Light Source</b>             | Power LED  |
| <b>Color Temperature</b>        | 2700 K ; 3000K ; 4000K   |
| <b>Ra</b>                       | > 80   |
| <b>Chromatic Selection</b>      | Mac-Adam 2-step  |
| <b>Lifetime</b>                 | > 50000 h (TM21)   |
| <b>Optics</b>                   | Honeycomb 8° ; narrow beam 9° ; medium beam 24° ; wide beam 43° ; transparent diffuser 111° ; satin diffuser 97°   |
| <b>Tc metal body</b>            | < 90 °C  |
| <b>Ta operating temperature</b> | - 30 ÷ 50 °C   |
| <b>Ts surface temperature</b>   | ≤ 65 °C  |
| <b>Functions</b>                | On/Off ; dimmable  |
| <b>Cable</b>                    | <b>350/500 mA:</b> AWM style 20233 2xAWG18 (Red;Black) Ø 5,2 L. 0,5 m.<br><b>24 Vdc:</b> AWM style 20233 2xAWG18 (Red;Black)+1xAWG20 (Violet) Ø 6,2 L. 1m. |
| <b>Weigth</b>                   | 235 g  |
| <b>Installations</b>            | Recessed (wall, floor); immersion  |
| <b>Norms</b>                    | 60598-1 ; 60598-2 and its parts  |



### NOTE:

Power supplies, control&dimming devices and fixing kits must to be orderd separately. Aldabra power supply consumption is equal to 15% of the fixture nominal power. Photometric data available at [www.aldabra.it](http://www.aldabra.it)

## YOR Monochromatic DATA-SHEET

### GENERAL FEATURES:

|                       | power(W) @350 mA | power(W) @500 mA | power(W) @24 Vdc |
|-----------------------|------------------|------------------|------------------|
| <b>YOR.01.XXXXX.X</b> | 1                | 1,5              |                  |
| <b>YOR.02.XXXXX.X</b> |                  |                  | 2                |

### OPTICAL FEATURES:

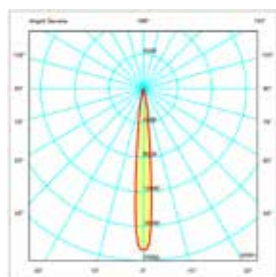
|                       |                           |
|-----------------------|---------------------------|
| <b>YOR.XX.HXXXX.X</b> | Honeycomb 8°              |
| <b>YOR.XX.MXXXX.X</b> | Narrow beam 9°            |
| <b>YOR.XX.FXXXX.X</b> | Medium beam 24°           |
| <b>YOR.XX.WXXXX.X</b> | Wide beam 43°             |
| <b>YOR.XX.TXXXX.X</b> | Transparent diffuser 111° |
| <b>YOR.XX.SXXXX.X</b> | Satin diffuser 97°        |

### LED FEATURES:

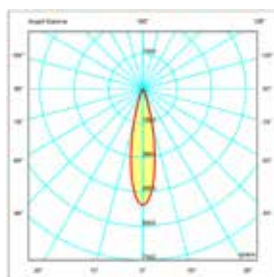
|                       | Power LED           | lm/W | Ra  | Chromatic selection |
|-----------------------|---------------------|------|-----|---------------------|
| <b>YOR.XX.X27XX.X</b> | 2700K warm white    | 105  | >80 | MacAdam 2-step      |
| <b>YOR.XX.X30XX.X</b> | 3000K warm white    | 118  | >80 | MacAdam 2-step      |
| <b>YOR.XX.X40XX.X</b> | 4000K neutral white | 130  | >80 | MacAdam 2-step      |

### FINISHES FEATURES:

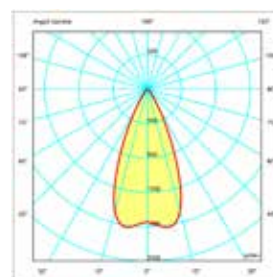
|                       |                       |
|-----------------------|-----------------------|
| <b>YOR.XX.XXXS1.X</b> | Satin stainless steel |
|-----------------------|-----------------------|



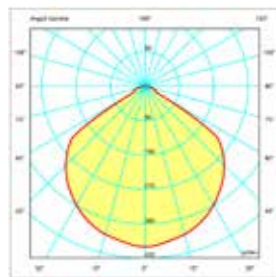
narrow beam 9°



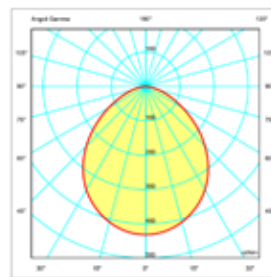
medium beam 24°



wide beam 43°



transparent diffuser 111°



satin diffuser 97°

### GENERAL INFORMATIONS:

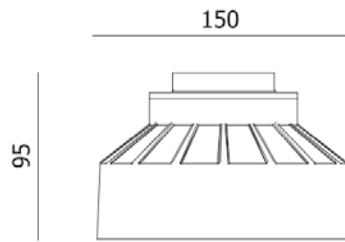
Kindly note that atmospheric agents ( such as lightnings, etc ) , electrostatics charges or disturbances on the installation not caused by Aldabra lighting fixtures and Led drivers indicated by Aldabra itself, may cause damages on the fixtures. It is necessary that the electrical installation where the LED lighting fittings and their power supply units and control gears are installed must be equipped with proper devices for the protection and suppression of transient phenomena (SPD, isolation transformer, etc...). Such devices must be coordinated with the other protections of the installation; on this theme, it's necessary to refer to the electrical installations norms which are in force in each country.

## YOR Monochromatic DATA-SHEET

### RECESSING BOXES:

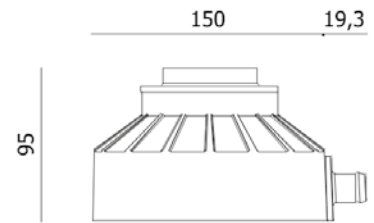
#### CSF.0035.0

draining housing box



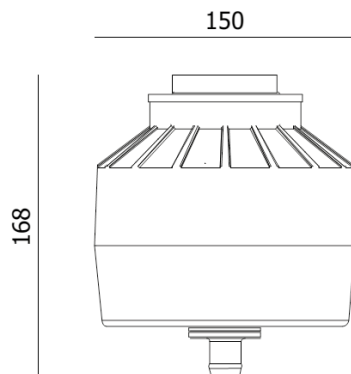
#### CSF.0037.0

housing box h. 95 mm



#### CSF.0036.0

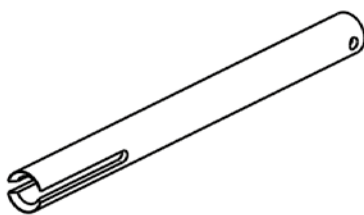
housing box for IP68 h. 168 mm



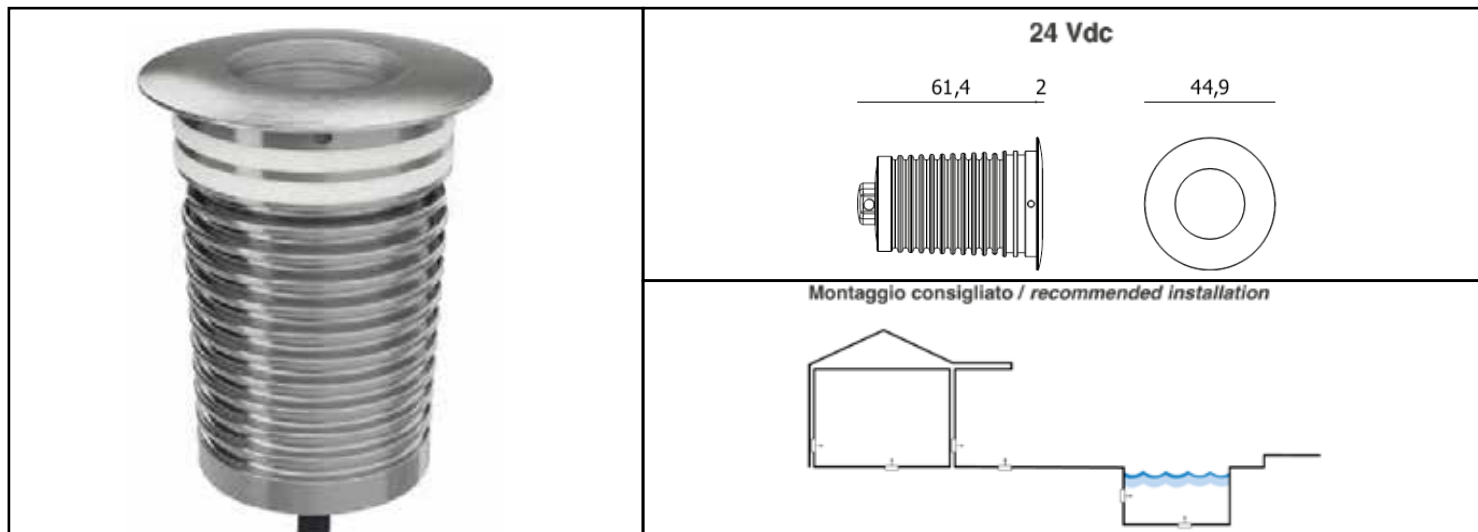
### ACCESSORIES:

#### ACC.0268.0

PG closing tool for IP68 recessing box



## YOR RGB DATA-SHEET



### PRODUCT DESCRIPTION:

Professional drive-over recessed fixture suitable for indoor, outdoor and underwater settings. Body stainless steel AISI 316L and tempered transparent or satin flat glass. All the materials are suitable for use in swimming pools, fountains and with salt water. UV resistance of all materials.

### TECHNICALS FEATURES:

|                                 |  |
|---------------------------------|--|
| <b>Materials</b>                | Stainless steel AISI 316L ; tempered transparent or satin flat glass |
| <b>Front Finishes</b>           | Satin stainless steel inox Aisi 316 L                                |
| <b>Power Supply</b>             | 24 Vdc constant voltage ( $\pm 5\%$ )                                |
| <b>Power</b>                    | 4W   |
| <b>Light Source</b>             | Power LED  |
| <b>Dominant Wavelength</b>      | R=622nm, G=530nm, B=470nm  |
| <b>Lifetime</b>                 | > 50000 h (L80B20)   |
| <b>Optics</b>                   | Wide beam 45° ; transparent diffuser 111° ; opale diffuser 97°       |
| <b>Tc metal body</b>            | < 90 °C  |
| <b>Ta operating temperature</b> | - 30 ÷ 50 °C   |
| <b>Ts surface temperature</b>   | ≤ 65 °C  |
| <b>Functions</b>                | On/Off ; dimmable  |
| <b>Cable</b>                    | AWM style 20233 2xAWG18 (Red;Black)+3xAWG20 (R/N, G/N, B/N) L. 1m.   |
| <b>Weigth</b>                   | 260 g  |
| <b>Installations</b>            | Recessed (wall, floor); immersion                                    |
| <b>Norms</b>                    | 60598-1 ; 60598-2 and its parts                                      |



### NOTE:

Power supplies, control&dimming devices and fixing kits must to be orderd separately. Aldabra power supply consumption is equal to 15% of the fixture nominal power. Photometric data available at [www.aldabra.it](http://www.aldabra.it)

## YOR RGB DATA-SHEET

### GENERAL FEATURES:

|                |       |
|----------------|-------|
|                | power |
| YOR.02.XXXXX.X | 4W    |

### OPTICAL FEATURES:

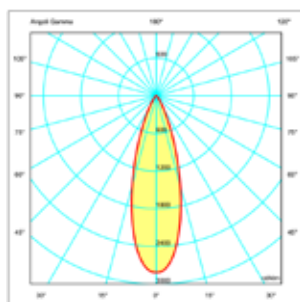
|                |                           |
|----------------|---------------------------|
| YOR.XX.WXXXX.X | Wide beam 45°             |
| YOR.XX.TXXXX.X | Transparent diffuser 111° |
| YOR.XX.SXXXX.X | Satin diffuser 97°        |

### LED FEATURES:

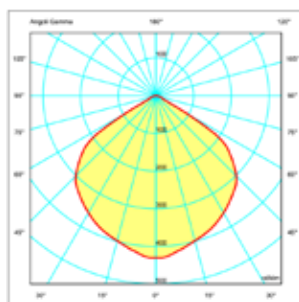
|                |           |
|----------------|-----------|
|                | Power LED |
| YOR.XX.X90XX.X | R, G, B   |

### FINISHES FEATURES:

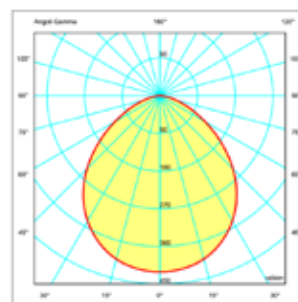
|                |                       |
|----------------|-----------------------|
| YOR.XX.XXXS1.X | Satin stainless steel |
|----------------|-----------------------|



wide beam 45°



transparent diffuser 111°



satin diffuser 97°

### GENERAL INFORMATIONS:

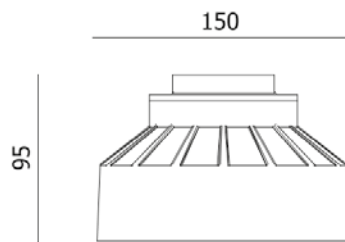
Kindly note that atmospheric agents ( such as lightnings, etc ) , electrostatics charges or disturbances on the installation not caused by Aldabra lighting fixtures and Led drivers indicated by Aldabra itself, may cause damages on the fixtures. It is necessary that the electrical installation where the LED lighting fittings and their power supply units and control gears are installed must be equipped with proper devices for the protection and suppression of transient phenomena (SPD, isolation transformer, etc...). Such devices must to be coordinated with the other protections of the installation; on this theme, it's necessary to refer to the electrical installations norms which are in force in each country.

## YOR RGB DATA-SHEET

### RECESSING BOXES:

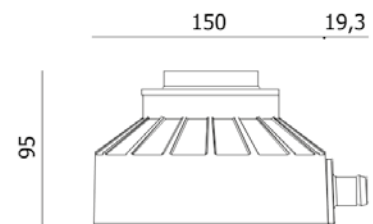
#### CSF.0035.0

draining housing box



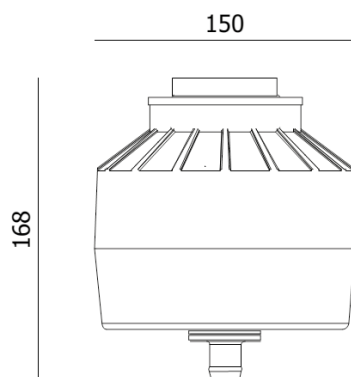
#### CSF.0037.0

housing box h. 95 mm



#### CSF.0036.0

housing box for IP68 h. 168 mm



### ACCESSORIES:

#### ACC.0268.0

PG closing tool for IP68 recessing box

