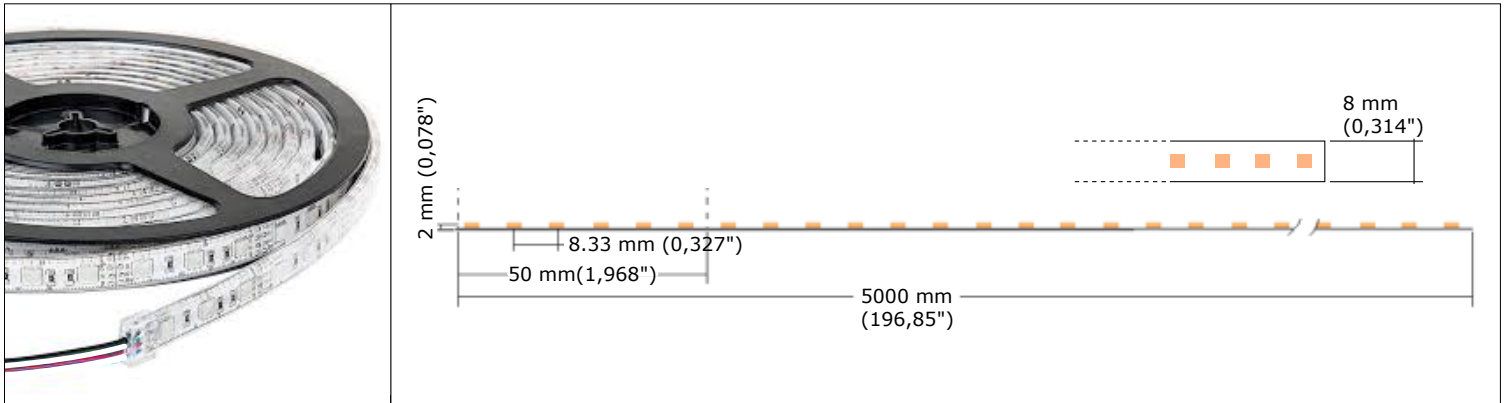


ALDABRA® E·XPRESS STRIP LED DATA-SHEET



PRODUCT DESCRIPTION:

Decoration series LED strip flex, apply to background decoration, wall & decoration effect.

ELECTRICAL FEATURES:

LED TYPE	SMD3528
Coulour rending index	>80
CCT	2700 K ; 3000 K ; 4000 K
Beam angle	120°
Lumen/m	560 lm
Input current/m	0,4 A/m
Input voltage	24 Vdc constant voltage
Power/m	10 W/m
Working hour	>50000 h
Working temperaure	-20 ÷ 45 °C (-4 ÷ 113 °F) (with proper heat sink)
IP	IP20
LED/m	120
Size of section	50 mm (1,968") 6 LED
Wire cable	Head and tail, 2x0,75 mm ² (18 AWG) Red, Black L= 120 mm (4,724")

GENERAL INFORMATIONS:

Kindly note that atmospheric agents (such as lightnings, etc) , electrostatics charges or disturbances on the installation not caused by Aldabra lighting fixtures and Led drivers indicated by Aldabra itself, may cause damages on the fixtures. It is necessary that the electrical installation where the LED lighting fittings and their power supply units and control gears are installed must be equipped with proper devices for the protection and suppression of transient phenomena (SPD, isolation transformer, etc...). Such devices must to be coordinated with the other protections of the installation; on this theme, it's necessary to refer to the electrical installations norms which are in force in each country.



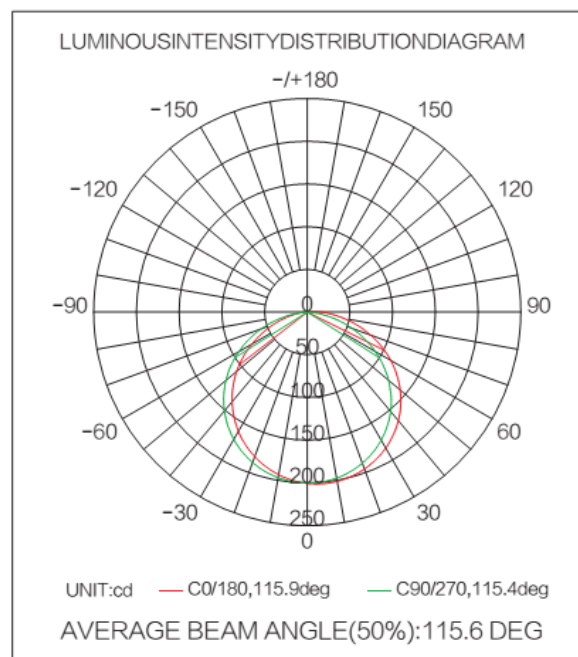
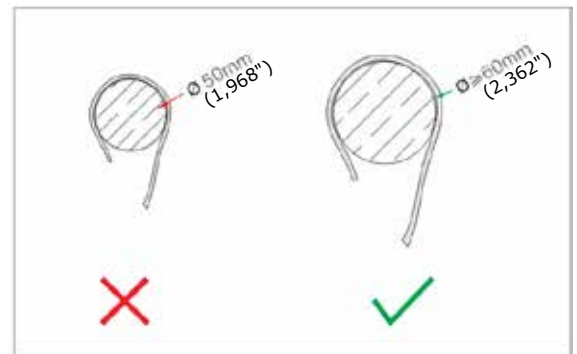
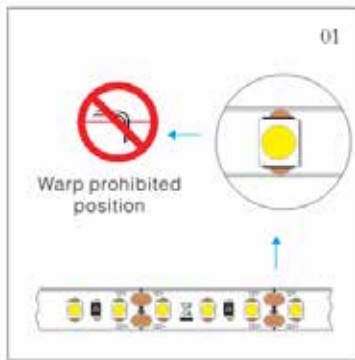
ALDABRA[®] E·PRESS STRIP LED DATA-SHEET

GENERAL FEATURES:

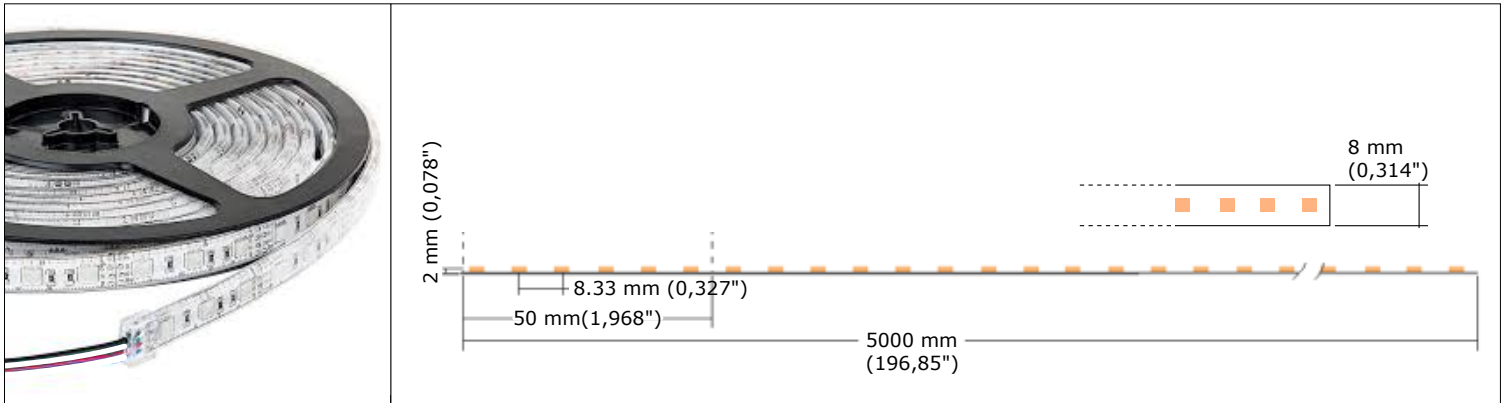
	length mm (in)	CCT	power/m	input voltage	pitch mm (in)	LED/m
LMX.001.27.0	5000 ± 15 (196,85" ± 0,59")	2700 K	10 W/m	24 Vdc	8,33 (0,327")	120
LMX.001.30.0	5000 ± 15 (196,85" ± 0,59")	3000 K	10 W/m	24 Vdc	8,33 (0,327")	120
LMX.001.40.0	5000 ± 15 (196,85" ± 0,59")	4000 K	10 W/m	24 Vdc	8,33 (0,327")	120

Distortion prohibited

≤60mm (2,362") diameter of wrapped object prohibited



ALDABRA® E·PRESS STRIP LED DATA-SHEET



PRODUCT DESCRIPTION:

Decoration series LED strip flex, apply to background decoration, wall & decoration effect.

ELECTRICAL FEATURES:

LED TYPE	SMD2835
Coulour rending index	>80
CCT	2700 K ; 3000 K ; 4000 K
Beam angle	120°
Lumen/m	1500 lm
Input current/m	0,7 A/m
Input voltage	24 Vdc constant voltage
Power/m	17 W/m
Working hour	>50000 h
Working tempaure	-20 ÷ 45 °C (-4 ÷ 113 °F) (with proper heat sink)
IP	IP20
LED/m	120
Size of section	50 mm (1,968") 6 LED
Wire cable	Head and tail, 2x0,75 mm ² (18 AWG) Red, Black L= 120 mm (4,724")

GENERAL INFORMATIONS:

Kindly note that atmospheric agents (such as lightnings, etc) , electrostatics charges or disturbances on the installation not caused by Aldabra lighting fixtures and Led drivers indicated by Aldabra itself, may cause damages on the fixtures. It is necessary that the electrical installation where the LED lighting fittings and their power supply units and control gears are installed must be equipped with proper devices for the protection and suppression of transient phenomena (SPD, isolation transformer, etc...). Such devices must to be coordinated with the other protections of the installation; on this theme, it's necessary to refer to the electrical installations norms which are in force in each country.

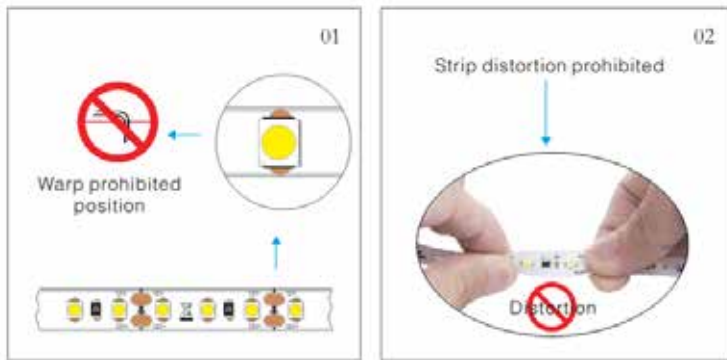


ALDABRA[®] E·PRESS STRIP LED DATA-SHEET

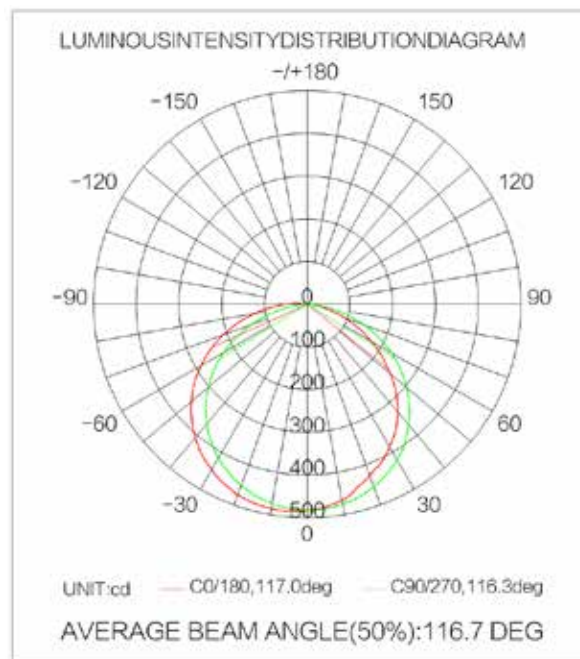
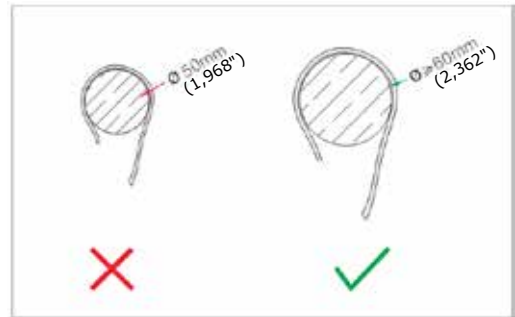
GENERAL FEATURES:

	length mm (in)	CCT	power/m	input voltage	pitch mm (in)	LED/m
LMX.002.27.0	5000 ± 15 (196,85" ± 0,59")	2700 K	17 W/m	24 Vdc	8,33 (0,327")	120
LMX.002.30.0	5000 ± 15 (196,85" ± 0,59")	3000 K	17 W/m	24 Vdc	8,33 (0,327")	120
LMX.002.40.0	5000 ± 15 (196,85" ± 0,59")	4000 K	17 W/m	24 Vdc	8,33 (0,327")	120

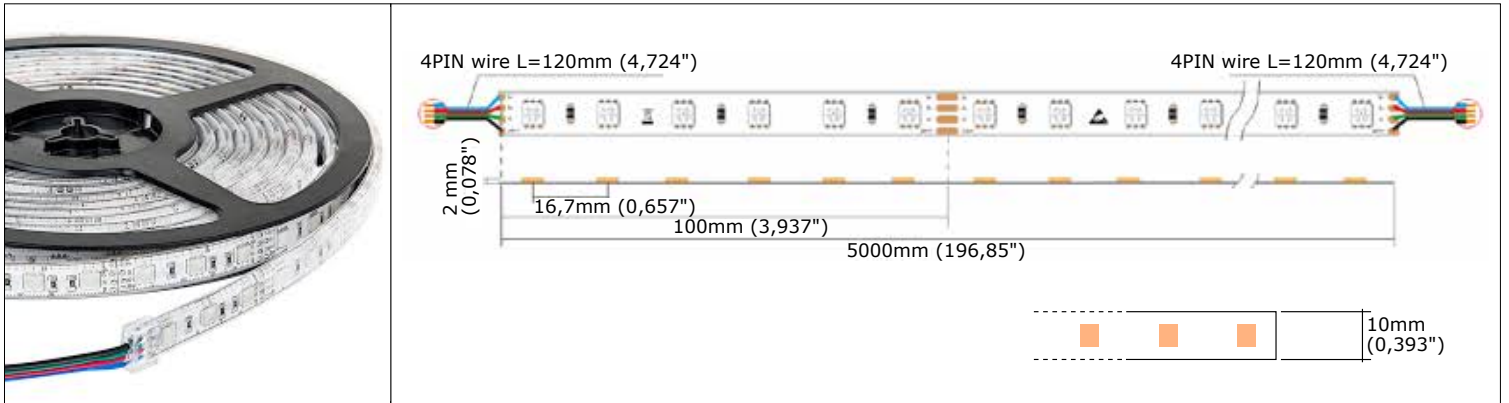
Distortion prohibited



≤60mm (2,362") diameter of wrapped object prohibited



ALDABRA® E·XPRESS STRIP LED RGB DATA-SHEET



PRODUCT DESCRIPTION:

Decoration series LED strip flex, apply to background decoration, wall & decoration effect.
The strip can be either connected to the lighting control system or with the independent controller.

ELECTRICAL FEATURES:

LED TYPE	SMD5050
CCT	R=625 nm ; G=525 nm ; B=470 nm
Beam angle	120°
Input current/m	0,6 A/m
Input voltage	24 Vdc constant voltage
Power/m	15 W/m
Working hour	>50000 h
Working temperature	-20 ÷ 45 °C (-4 ÷ 113 °F) (with proper heat sink)
IP	IP20
LED/m	60
Size of section	100 mm (3,937") 6 LED
Wire cable	Head and tail, 4x0,5 mm ² (20 AWG) Black, Green, Red, Blue L=120 mm (4,724")

GENERAL INFORMATIONS:

Kindly note that atmospheric agents (such as lightnings, etc) , electrostatics charges or disturbances on the installation not caused by Aldabra lighting fixtures and Led drivers indicated by Aldabra itself, may cause damages on the fixtures. It is necessary that the electrical installation where the LED lighting fittings and their power supply units and control gears are installed must be equipped with proper devices for the protection and suppression of transient phenomena (SPD, isolation transformer, etc...). Such devices must to be coordinated with the other protections of the installation; on this theme, it's necessary to refer to the electrical installations norms which are in force in each country.

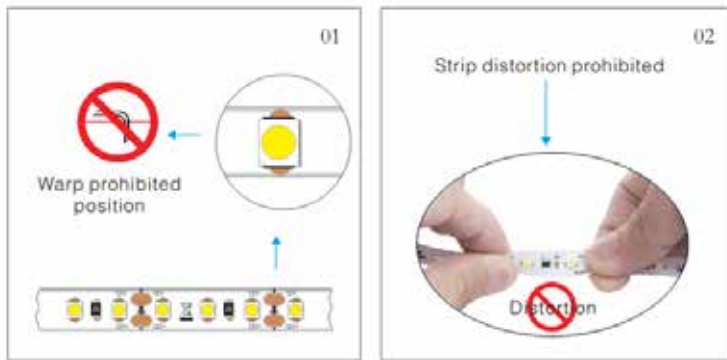


ALDABRA[®] E)XPRESS STRIP LED RGB DATA-SHEET

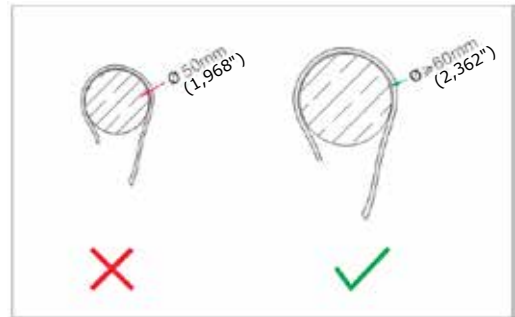
GENERAL FEATURES:

	length mm (in)	CCT	power/m	input voltage	pitch mm (in)	LED/m
LMX.003.90.0	5000 ± 15 (196,85" ± 0,59")	RGB	15 W/m	24 Vdc	16,7 (0,657")	60

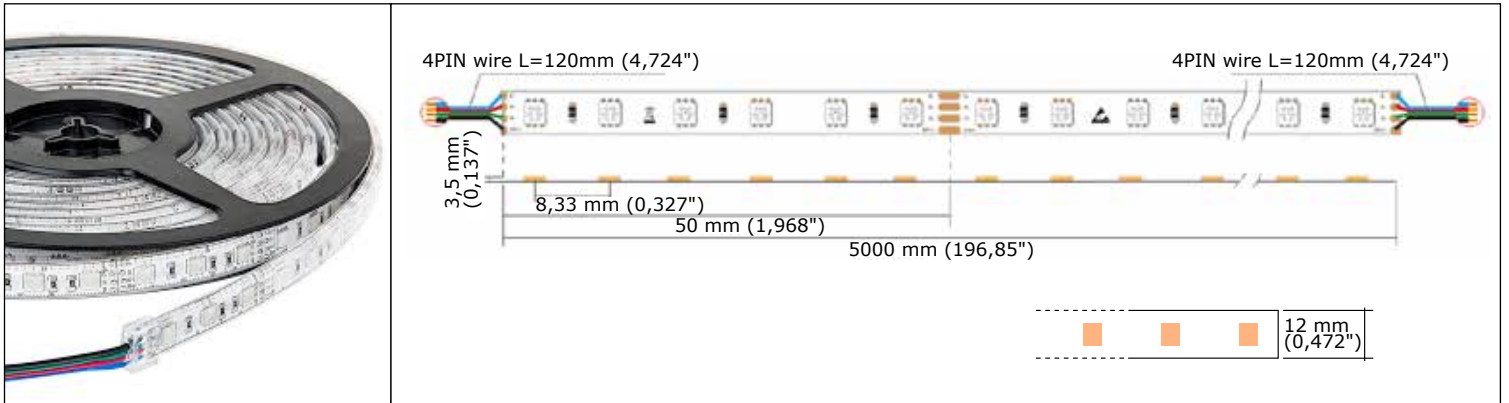
Distortion prohibited



≤60mm (2,362") diameter of wrapped object prohibited



ALDABRA® E·XPRESS STRIP LED RGB DATA-SHEET



PRODUCT DESCRIPTION:

Decoration series LED strip flex, apply to background decoration, wall & decoration effect.
The strip can be either connected to the lighting control system or with the independent controller.

ELECTRICAL FEATURES:

LED TYPE	SMD3535
CCT	R=625 nm ; G=525 nm ; B=470 nm
Beam angle	120°
Input current/m	0,73 A/m
Input voltage	24 Vdc constant voltage
Power/m	18 W/m
Working hour	>50000 h
Working temperature	-20 ÷ 45 °C (-4 ÷ 113 °F) (with proper heat sink)
IP	IP20
LED/m	120
Size of section	50 mm (1,968") 6 LED
Wire cable	Head and tail, 4x0,5 mm ² (20 AWG) Black, Green, Red, Blue L=120 mm (4,724")

GENERAL INFORMATIONS:

Kindly note that atmospheric agents (such as lightnings, etc) , electrostatics charges or disturbances on the installation not caused by Aldabra lighting fixtures and Led drivers indicated by Aldabra itself, may cause damages on the fixtures. It is necessary that the electrical installation where the LED lighting fittings and their power supply units and control gears are installed must be equipped with proper devices for the protection and suppression of transient phenomena (SPD, isolation transformer, etc...). Such devices must to be coordinated with the other protections of the installation; on this theme, it's necessary to refer to the electrical installations norms which are in force in each country.



ALDABRA[®]

E)XPRESS

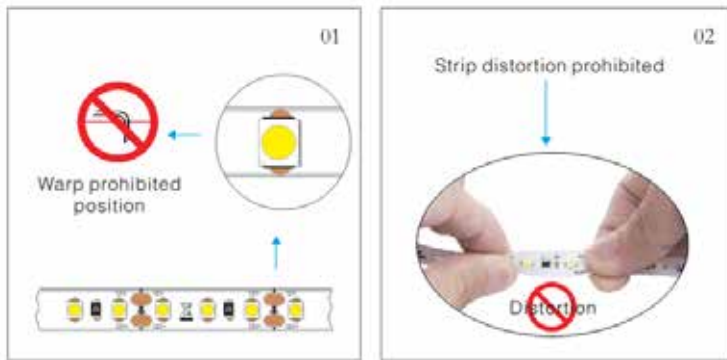
STRIP LED RGB

DATA-SHEET

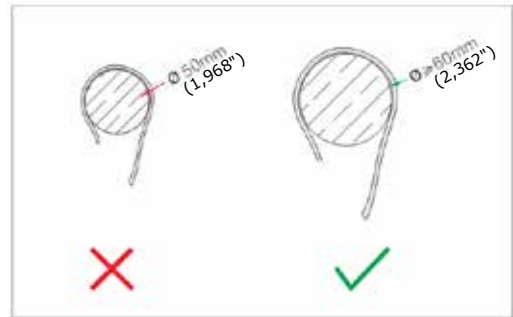
GENERAL FEATURES:

	length (mm)	CCT	power/m	input voltage	pitch (mm)	LED/m
LMX.004.90.0	5000 ± 15 (196,85" ± 0,59")	RGB	18 W/m	24 Vdc	8,33 (0,327")	120

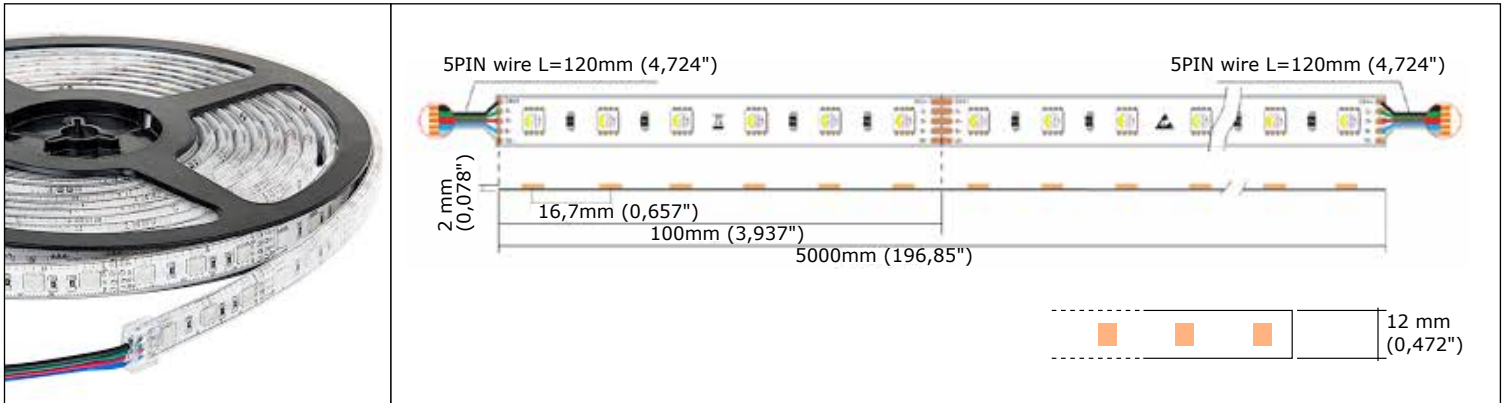
Distortion prohibited



≤60mm (2,362") diameter of wrapped object prohibited



ALDABRA® E·XPRESS STRIP LED RGBW DATA-SHEET



PRODUCT DESCRIPTION:

Decoration series LED strip flex, apply to background decoration, wall & decoration effect.
The strip can be either connected to the lighting control system or with the independent controller.

ELECTRICAL FEATURES:

LED TYPE	SMD3535
CCT	R=625 nm ; G=525 nm ; B=470 nm ; W=6000 K
Beam angle	120°
Input current/m	0,8 A/m
Input voltage	24 Vdc constant voltage
Power/m	19 W/m
Working hour	>50000 h
Working temperature	-20 °C ÷ 45 °C (with proper heat sink)
IP	IP20
LED/m	60
Size of section	100 mm (3,937") (6 LED)
Wire cable	Head and tail, 4x0,5 mm ² (20 AWG) Black, Green, Red, Blue, White L=120 mm (4,724")

GENERAL INFORMATIONS:

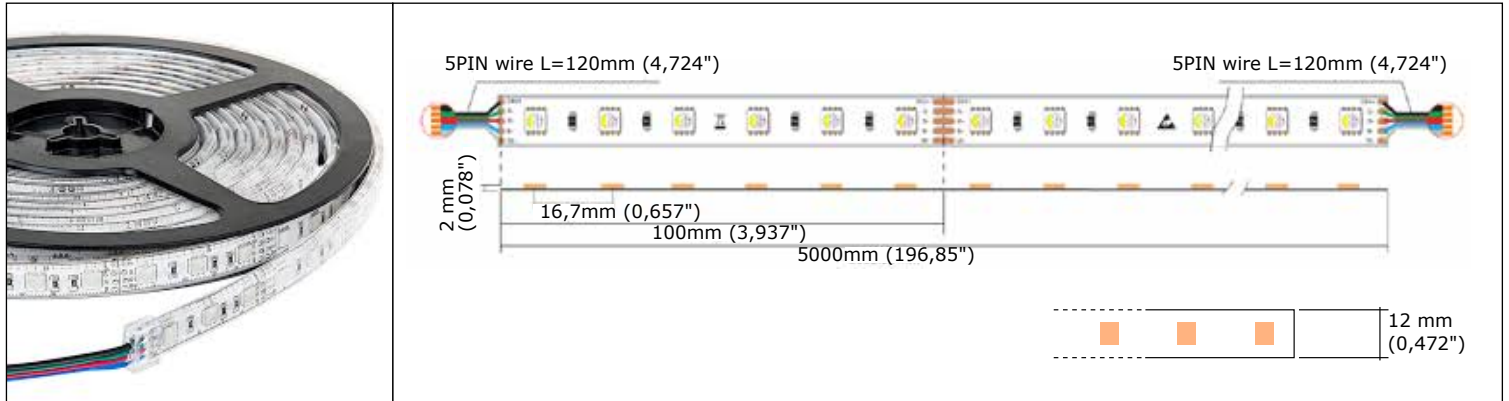
Kindly note that atmospheric agents (such as lightnings, etc) , electrostatics charges or disturbances on the installation not caused by Aldabra lighting fixtures and Led drivers indicated by Aldabra itself, may cause damages on the fixtures. It is necessary that the electrical installation where the LED lighting fittings and their power supply units and control gears are installed must be equipped with proper devices for the protection and suppression of transient phenomena (SPD, isolation transformer, etc...). Such devices must to be coordinated with the other protections of the installation; on this theme, it's necessary to refer to the electrical installations norms which are in force in each country.



ALDABRA®

STRIP LED RGBW

DATA-SHEET



PRODUCT DESCRIPTION:

Decoration series LED strip flex, apply to background decoration, wall & decoration effect.
The strip can be either connected to the lighting control system or with the independent controller.

ELECTRICAL FEATURES:

LED TYPE	SMD3535
CCT	R=625 nm ; G=525 nm ; B=470 nm ; W=6000 K
Beam angle	120°
Input current/m	0,8 A/m
Input voltage	24 Vdc constant voltage
Power/m	19 W/m
Working hour	>50000 h
Working temperature	-20 °C ÷ 45 °C (with proper heat sink)
IP	IP20
LED/m	60
Size of section	100 mm (3,937") (6 LED)
Wire cable	Head and tail, 4x0,5 mm ² (20 AWG) Black, Green, Red, Blue, White L=120 mm (4,724")

GENERAL INFORMATIONS:

Kindly note that atmospheric agents (such as lightnings, etc) , electrostatics charges or disturbances on the installation not caused by Aldabra lighting fixtures and Led drivers indicated by Aldabra itself, may cause damages on the fixtures. It is necessary that the electrical installation where the LED lighting fittings and their power supply units and control gears are installed must be equipped with proper devices for the protection and suppression of transient phenomena (SPD, isolation transformer, etc...). Such devices must to be coordinated with the other protections of the installation; on this theme, it's necessary to refer to the electrical installations norms which are in force in each country.



11011.191010