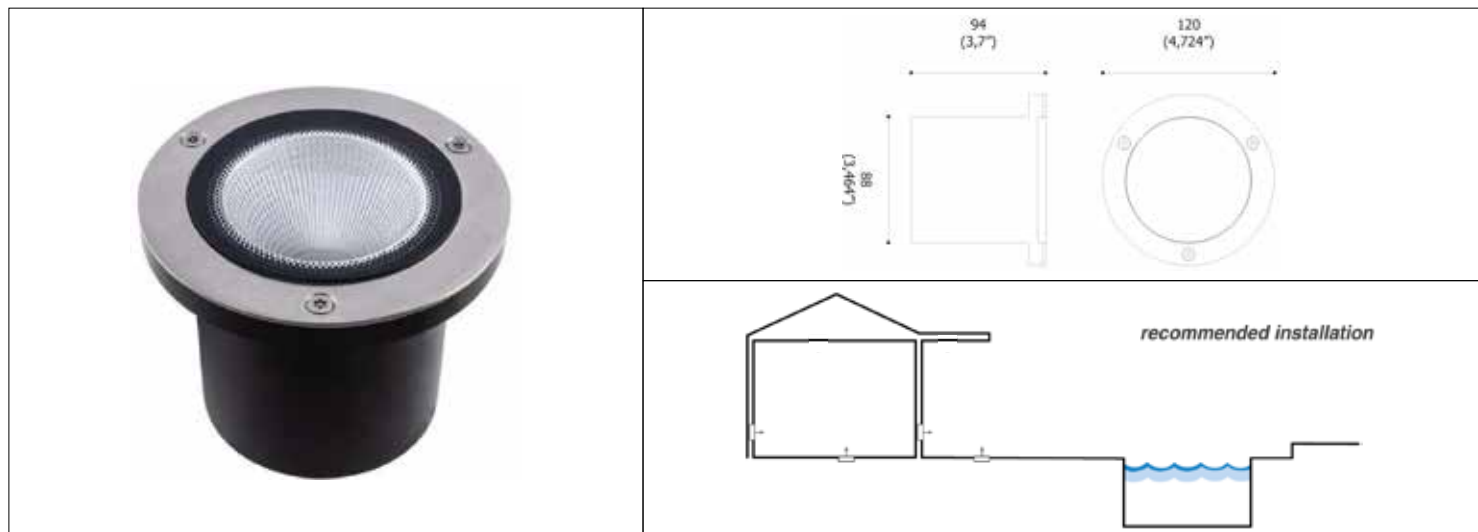


## STAR 120 AC Monochromatic

### DATA-SHEET



#### PRODUCT DESCRIPTION:

Recessed professional fixed fixture suitable for indoor, outdoor settings.  
Body Anticorodal aluminium alloy EN AW-6060 and tempered transparent flat glass.  
UV resistance of all materials.

#### TECHNICALS FEATURES:

<b>Materials</b>	Anticorodal aluminium alloy EN AW-6060 ; Stainless steel inox AISI 316L ; tempered transparent flat glass
<b>Front Finishes</b>	Satin stainless steel
<b>Input rated Voltage</b>	Nominal Voltage 120-277 Vac ; Voltage range 100-277 Vac
<b>Power</b>	15 W
<b>Light Source</b>	COB LED 145 lm/W
<b>Color Temperature</b>	3000 K ; 4000 K
<b>Ra</b>	> 80
<b>Chromatic Selection</b>	Mac-Adam 3-step
<b>Lifetime</b>	> 50000 h (TM21)
<b>Optics</b>	narrow beam 15° ; medium beam 27° ; wide beam 42°
<b>Tc metal body</b>	< 90 °C (194 °F)
<b>Ta operating temperature</b>	- 30 ÷ 50 °C (-22 ÷ 122 °F)
<b>Ts surface temperature</b>	≤ 65 °C (149 °F)
<b>Functions</b>	On/Off
<b>Cable</b>	PVC/PVC SJTW UL CSA T23183 3X0,75mm <sup>2</sup> (AWG18) White, Black, Green ø 8,2mm (0,322") L. 1 m (3,28 ft)
<b>Weigth</b>	1,8 Kg (63,49 oz)
<b>Installations</b>	Recessed (wall, floor)
<b>Norms</b>	EN60598-1 ; EN60598-2 and its parts ; UL 676 ; CSA C22.2 No. 89-15 ; UL 2108 ; UL 1598/C250.-08



#### NOTE:

Fixing kits must to be orderd separately.  
Photometric data available at [www.aldabra.it](http://www.aldabra.it)

## STAR 120 AC Monochromatic DATA-SHEET

### GENERAL FEATURES:

	Power (W)	Power Supply
STA.01.XXXXX.X	15	110-277 Vac

### OPTICAL FEATURES:

STA.XX.MXXXX.X	Narrow beam 15°
STA.XX.FXXXX.X	Medium beam 27°
STA.XX.WXXXX.X	Wide beam 42°

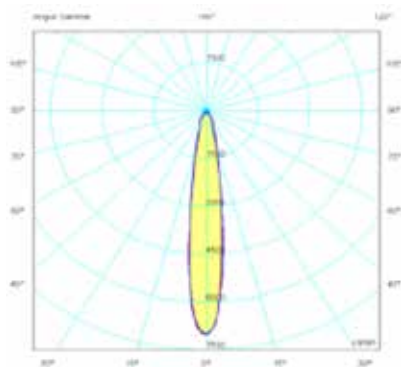
### LED FEATURES:

	COB LED	Im*	Ra	Chromatic selection
STA.XX.X30XX.X	Warm white 3000 K	1474	>80	MacAdam 3-step
STA.XX.X40XX.X	Neutral white 4000 K	1500	>80	MacAdam 3-step

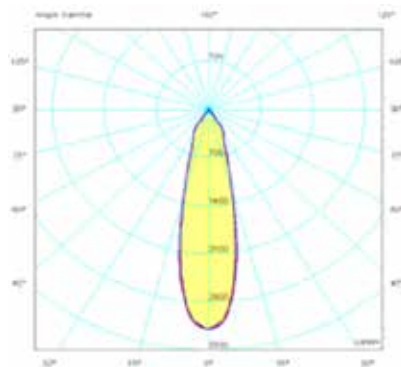
\*delivered luminous flux (narrow beam)

### FINISHES FEATURES:

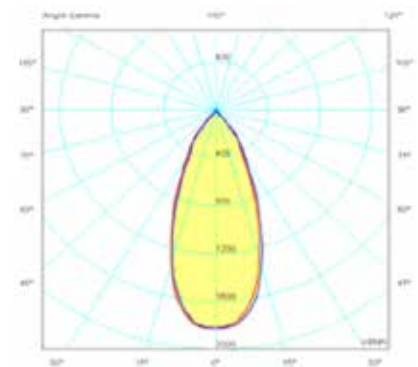
STA.XX.XXXS1.X	Satin stainless steel AISI 316 L
----------------	----------------------------------



Narrow beam 15°



Medium beam 27°



Medium beam 42°

### GENERAL INFORMATIONS:

Kindly note that atmospheric agents ( such as lightnings, etc ) , electrostatics charges or disturbances on the installation not caused by Aldabra lighting fixtures and Led drivers indicated by Aldabra itself, may cause damages on the fixtures. It is necessary that the electrical installation where the LED lighting fittings and their power supply units and control gears are installed must be equipped with proper devices for the protection and suppression of transient phenomena (SPD, isolation transformer, etc...). Such devices must be coordinated with the other protections of the installation; on this theme, it's necessary to refer to the electrical installations norms which are in force in each country.

# ALDABRA

PROFESSIONAL EXTERIOR LIGHTING

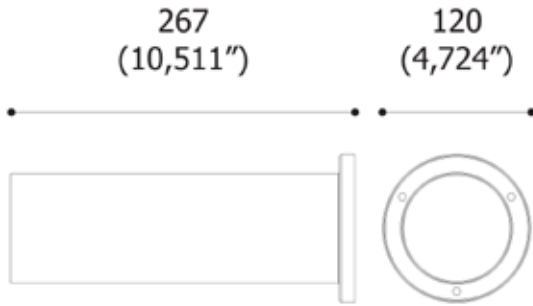
## STAR 120 AC Monochromatic

### DATA-SHEET

#### RECESSING BOXES:

##### CSF.0107.0

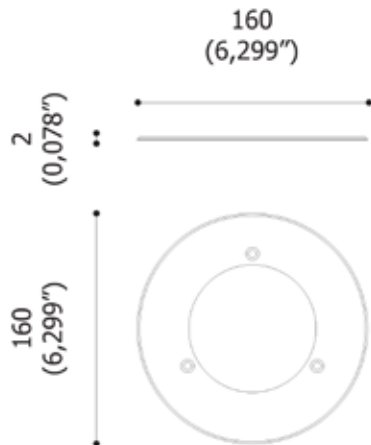
draining recessing box



#### ACCESSORIES:

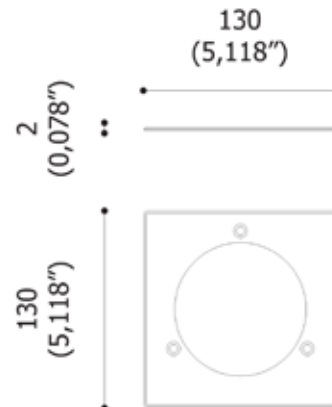
##### ACC.0203.0

satin stainless steel round frame for driveover version



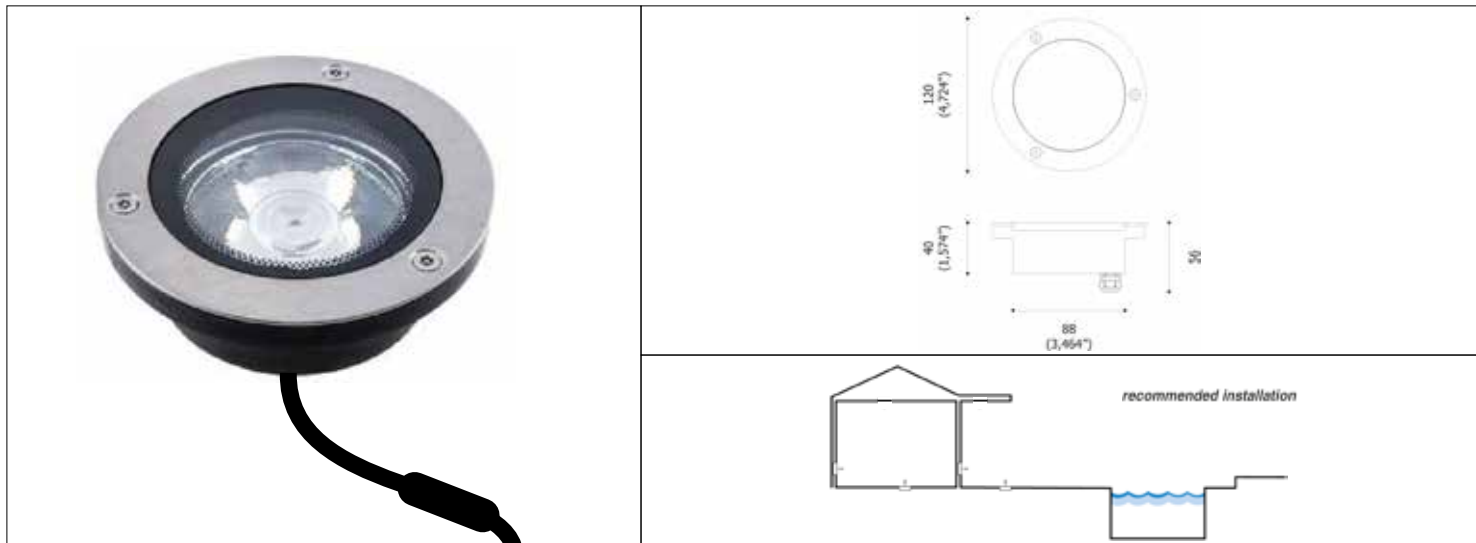
##### ACC.0215.0

satin stainless steel square frame for walkover version



## STAR 120 compact CC Monochromatic

### DATA-SHEET



#### PRODUCT DESCRIPTION:

Recessed professional fixed fixture suitable for indoor, outdoor settings.  
Body Anticorodal aluminium alloy EN AW-6060 and tempered transparent flat glass.  
UV resistance of all materials.

#### TECHNICALS FEATURES:

<b>Materials</b>	Anticorodal aluminium alloy EN AW-6060 ; Stainless steel inox AISI 316L ; tempered transparent flat glass
<b>Front Finishes</b>	Satin stainless steel
<b>Power Supply</b>	350/500 mA Constant current (only 350 mA 13 W for UL/CUL)
<b>Power</b>	13/18 W (drive-over 13W only)
<b>Light Source</b>	COB LED 145 lm/W
<b>Color Temperature</b>	3000 K ; 4000 K
<b>Ra</b>	> 80
<b>Chromatic Selection</b>	Mac-Adam 3-step
<b>Lifetime</b>	> 50000 h (TM21)
<b>Optics</b>	narrow beam 11° ; medium beam 22° ; wide beam 37° narrow beam 11° + honeycomb ; medium beam 22° + honeycomb
<b>Tc metal body</b>	< 90 °C (194 °F)
<b>Ta operating temperature walk-over</b>	- 30 ÷ 50 °C (-22 ÷ 122 °F)
<b>Ta operating temperature drive-over</b>	- 30 ÷ 40 °C (-22 ÷ 104 °F)
<b>Ts surface temperature</b>	≤ 65 °C (149 °F)
<b>Functions</b>	On/Off
<b>Cable</b>	PVC/PVC SJTW UL CSA T23182 2X0,75mm <sup>2</sup> (AWG18) White, Black ø 7,6mm (0,299") L. 1 m (3,28 ft)
<b>Weigth</b>	1 Kg (35,27 oz)
<b>Installations</b>	Recessed (wall, floor)
<b>Norms</b>	60598-1 ; 60598-2 and its parts ; UL 676 ; CSA C22.2 No. 89-15 ; UL 2108 ; UL 1598/ C250.-08



\*drive-over up to 2000Kg (4409 Lbs) only using the dedicated front ring,  
max current 350mA, max ambient temperature 40 °C (104 °F)

#### NOTE:

Power supplies, control&dimming devices and fixing kits must to be orderd separately. Aldabra power supply consumption is equal to 15% of the fixture nominal power.  
Photometric data available at [www.aldabra.it](http://www.aldabra.it)

## STAR 120 compact CC Monochromatic DATA-SHEET

### GENERAL FEATURES:

	Power (W)	Power Supply
<b>STA.02.XXXXX.X</b>	13*/18	350*/500 mA

\* UL/CUL 350mA only

### OPTICAL FEATURES:

<b>STA.XX.MXXXX.X</b>	Narrow beam 11°
<b>STA.XX.FXXXX.X</b>	Medium beam 22°
<b>STA.XX.WXXXX.X</b>	Wide beam 37°
<b>STA.XX.HXXXX.X</b>	Narrow beam 11° + honeycomb
<b>STA.XX.KXXXX.X</b>	Medium beam 22° + honeycomb

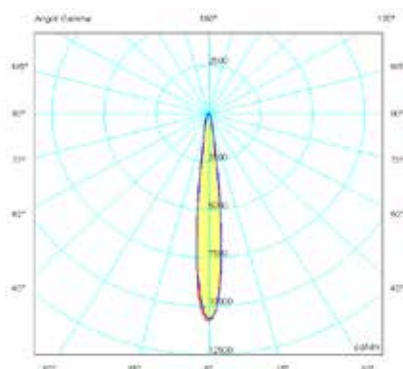
### LED FEATURES:

	COB LED	lm* (@350mA)	lm* (@500mA)	Ra	Chromatic selection
<b>STA.XX.X30XX.X</b>	Warm white 3000 K	1242	1640	>80	MacAdam 3-step
<b>STA.XX.X40XX.X</b>	Neutral white 4000 K	1281	1692	>80	MacAdam 3-step

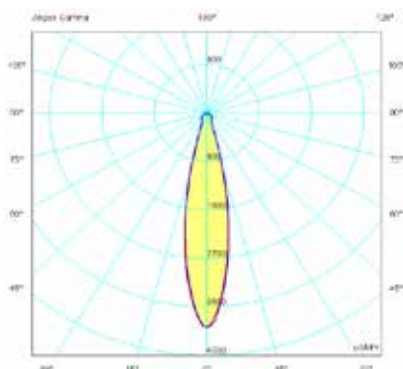
\*delivered luminous flux (narrow beam)

### FINISHES FEATURES:

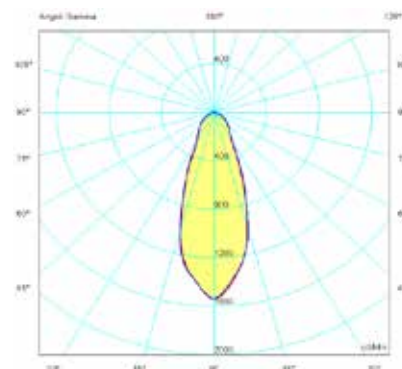
<b>STA.XX.XXXS1.X</b>	Satin stainless steel AISI 316 L
-----------------------	----------------------------------



Narrow beam 11°



Medium beam 22°



Medium beam 37°

### GENERAL INFORMATIONS:

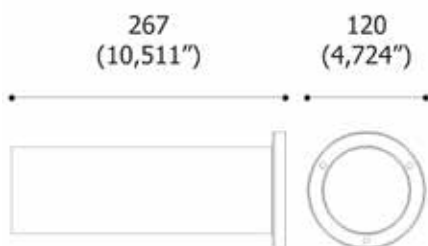
Kindly note that atmospheric agents ( such as lightnings, etc ) , electrostatics charges or disturbances on the installation not caused by Aldabra lighting fixtures and Led drivers indicated by Aldabra itself, may cause damages on the fixtures. It is necessary that the electrical installation where the LED lighting fittings and their power supply units and control gears are installed must be equipped with proper devices for the protection and suppression of transient phenomena (SPD, isolation transformer, etc...). Such devices must be coordinated with the other protections of the installation; on this theme, it's necessary to refer to the electrical installations norms which are in force in each country.

## STAR 120 compact CC Monochromatic DATA-SHEET

### RECESSING BOXES:

#### CSF.0107.0

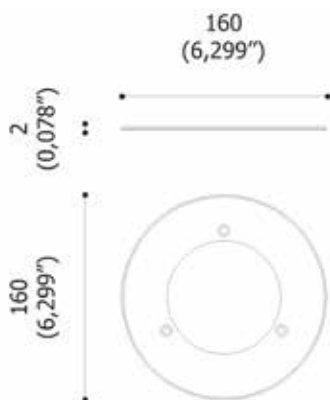
draining recessing box



### ACCESSORIES:

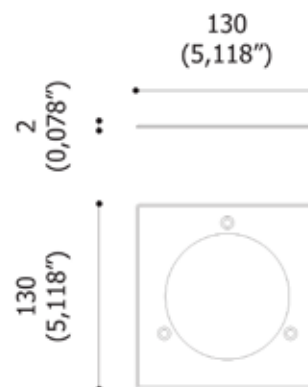
#### ACC.0203.0

satin stainless steel round frame for  
driveover version



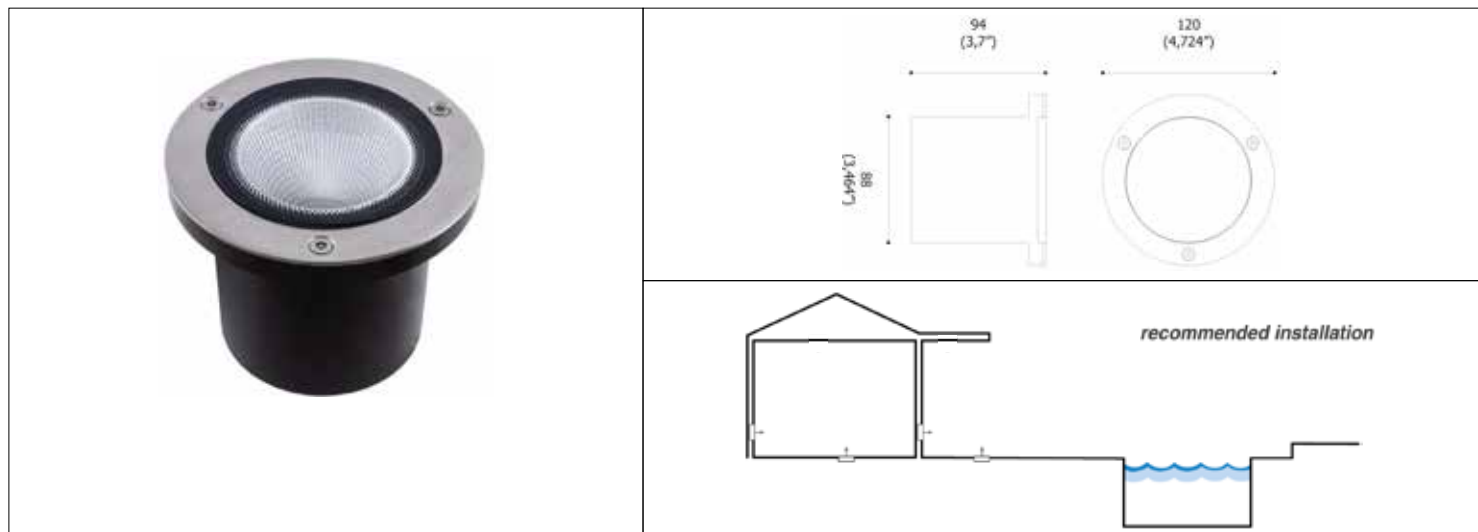
#### ACC.0215.0

satin stainless steel square frame for  
walkover version



## STAR 120 RGB

### DATA-SHEET



#### PRODUCT DESCRIPTION:

Recessed professional fixed fixture suitable for indoor, outdoor settings.  
Body Anticorodal aluminium alloy EN AW-6060 and tempered transparent flat glass.  
UV resistance of all materials.

#### TECHNICALS FEATURES:

<b>Materials</b>	Anticorodal aluminium alloy EN AW-6060 ; Stainless steel inox AISI 316L ; tempered transparent flat glass
<b>Front Finishes</b>	Satin stainless steel
<b>Power Supply</b>	24 Vdc constant voltage ( $\pm 5\%$ )
<b>Power</b>	14 W
<b>Light Source</b>	Power LED
<b>Dominant wavelength</b>	R: 622 nm ; G: 530 nm ; B: 470 nm
<b>Lifetime</b>	> 50000 h (TM21)
<b>Optics</b>	medium beam 30° ; wide beam 45°
<b>Tc metal body</b>	< 90 °C (194 °F)
<b>Ta operating temperature</b>	- 30 ÷ 50 °C (-22 ÷ 122 °F)
<b>Ts surface temperature</b>	≤ 65 °C (149 °F)
<b>Functions</b>	On/Off
<b>Cable</b>	AWM style 20233 2x0,75mm <sup>2</sup> (AWG18) Red;Black+3x0,5mm <sup>2</sup> (AWG20) Red/black, Green/black, Blue/black L. 1m (3,28 ft).
<b>Weigth</b>	1,8 Kg (63,49 oz)
<b>Installations</b>	Recessed (wall, floor)
<b>Norms</b>	EN60598-1 ; EN60598-2 and its parts ; UL 676 ; CSA C22.2 No. 89-15 ; UL 2108 ; UL 1598/C250.-08



\*drive-over up to 2000Kg (4409 Lbs)  
only using the dedicated front ring

#### NOTE:

Power supplies, control&dimming devices and fixing kits must to be orderd separately. Aldabra power supply consumption is equal to 15% of the fixture nominal power.  
Photometric data available at [www.aldabra.it](http://www.aldabra.it)

## STAR 120 RGB

### DATA-SHEET

#### GENERAL FEATURES:

	Power (W)	Power Supply
STA.03.XXXXX.X	14	24 Vdc

#### OPTICAL FEATURES:

STA.XX.FXXXX.X	Medium beam 30°
STA.XX.WXXXX.X	Wide beam 45°

#### LED FEATURES:

	Power LED
STA.XX.X91XX.X	R, G, B

#### FINISHES FEATURES:

STA.XX.XXXS1.X	Satin stainless steel AISI 316 L
----------------	----------------------------------

#### GENERAL INFORMATIONS:

Kindly note that atmospheric agents ( such as lightnings, etc ) , electrostatics charges or disturbances on the installation not caused by Aldabra lighting fixtures and Led drivers indicated by Aldabra itself, may cause damages on the fixtures. It is necessary that the electrical installation where the LED lighting fittings and their power supply units and control gears are installed must be equipped with proper devices for the protection and suppression of transient phenomena (SPD, isolation transformer, etc...). Such devices must be coordinated with the other protections of the installation; on this theme, it's necessary to refer to the electrical installations norms which are in force in each country.



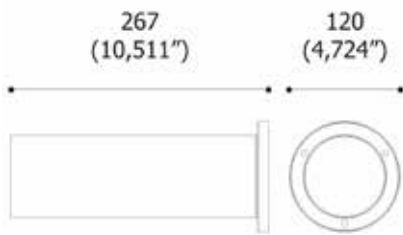
## STAR 120 RGB

### DATA-SHEET

#### RECESSING BOXES:

##### CSF.0107.0

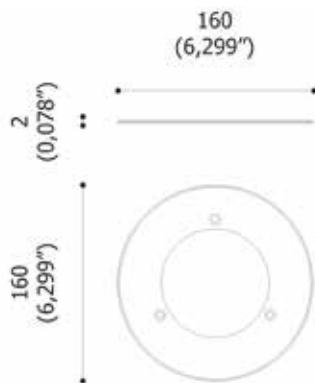
draining recessing box



#### ACCESSORIES:

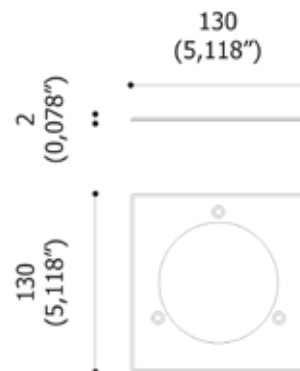
##### ACC.0203.0

satin stainless steel round frame for driveover version



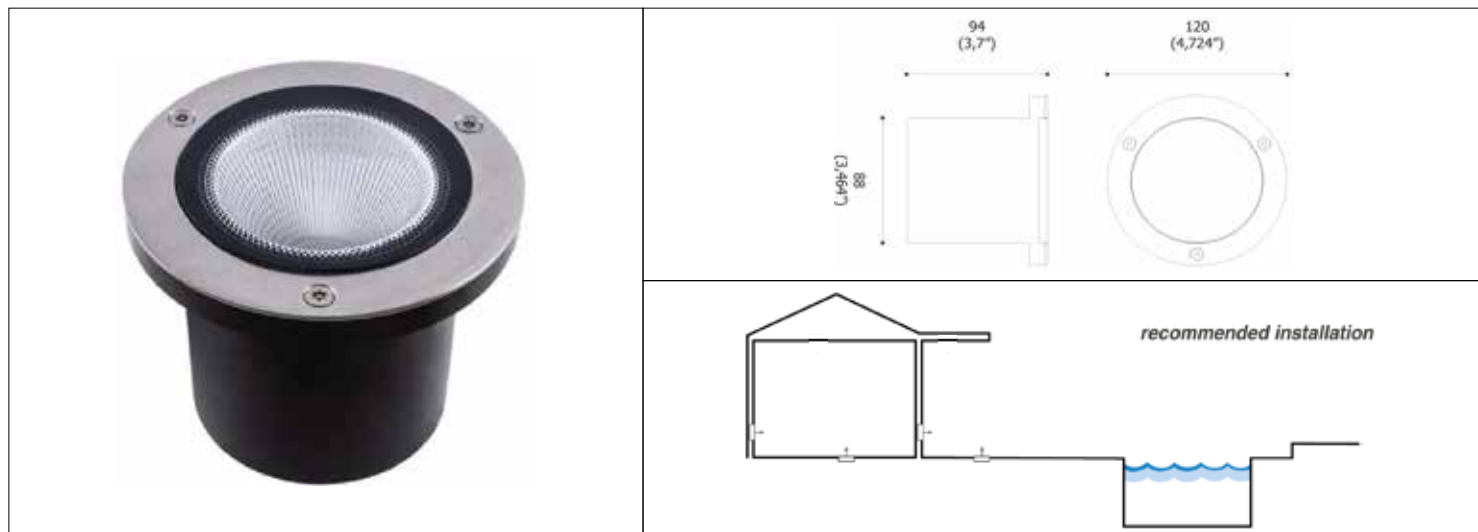
##### ACC.0215.0

satin stainless steel square frame for walkover version



## STAR 120 RGBW

### DATA-SHEET



#### PRODUCT DESCRIPTION:

Recessed professional fixed fixture suitable for indoor, outdoor settings.  
 Body Anticorodal aluminium alloy EN AW-6060 and tempered transparent flat glass.  
 UV resistance of all materials.

#### TECHNICALS FEATURES:

<b>Materials</b>	Anticorodal aluminium alloy EN AW-6060 ; Stainless steel inox AISI 316L ; tempered transparent flat glass
<b>Front Finishes</b>	Satin stainless steel
<b>Power Supply</b>	24 Vdc constant voltage (±5%)
<b>Power</b>	18 W
<b>Light Source</b>	Power LED
<b>Dominant wavelength</b>	R: 622 nm ; G: 530 nm ; B: 470 nm ; W: 4000K
<b>Ra</b>	> 80 (White)
<b>Chromatic selection</b>	Mac-Adam 3-step (White)
<b>Lifetime</b>	> 50000 h (TM21) (White)
<b>Optics</b>	medium beam 30° ; wide beam 45°
<b>Tc metal body</b>	< 90 °C
<b>Ta operating temperature</b>	- 30 ÷ 50 °C
<b>Ts surface temperature</b>	≤ 65 °C
<b>Functions</b>	On/Off
<b>Cable</b>	AWM style 20233 2xAWG18 (Red;Black)+4xAWG20 (R/b, G/b, B/b, W/b) L. 1 m.
<b>Weigth</b>	1,8 Kg
<b>Installations</b>	Recessed (wall, floor)
<b>Norms</b>	EN60598-1 ; EN60598-2 and its parts



\*drive-over up to 2000Kg (4409 Lbs)  
 only using the dedicated front ring

#### NOTE:

Power supplies, control&dimming devices and fixing kits must to be orderd separately. Aldabra power supply consumption is equal to 15% of the fixture nominal power.  
 Photometric data available at [www.aldabra.it](http://www.aldabra.it)

## STAR 120 RGBW DATA-SHEET

### GENERAL FEATURES:

	Power (W)	Power Supply
STA.03.XXXXX.X	18	24 Vdc

### OPTICAL FEATURES:

STA.XX.FXXXX.X	Medium beam 30°
STA.XX.WXXXX.X	Wide beam 45°

### LED FEATURES:

	Power LED	lm	Ra	Chromatic selection
STA.XX.X91XX.X	R, G, B, W (4000K)	430 (White)	>80 (White)	Mac-Adam 3-step (White)

### FINISHES FEATURES:

STA.XX.XXXS1.X	Satin stainless steel AISI 316 L
----------------	----------------------------------

### GENERAL INFORMATIONS:

Kindly note that atmospheric agents ( such as lightnings, etc ) , electrostatics charges or disturbances on the installation not caused by Aldabra lighting fixtures and Led drivers indicated by Aldabra itself, may cause damages on the fixtures. It is necessary that the electrical installation where the LED lighting fittings and their power supply units and control gears are installed must be equipped with proper devices for the protection and suppression of transient phenomena (SPD, isolation transformer, etc...). Such devices must be coordinated with the other protections of the installation; on this theme, it's necessary to refer to the electrical installations norms which are in force in each country.

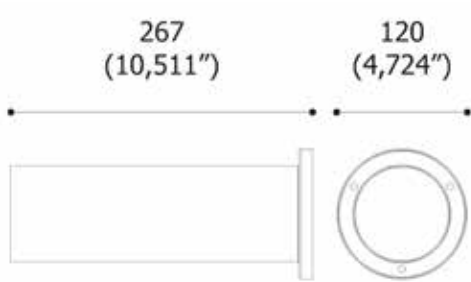
## STAR 120 RGBW

### DATA-SHEET

#### RECESSING BOXES:

##### CSF.0107.0

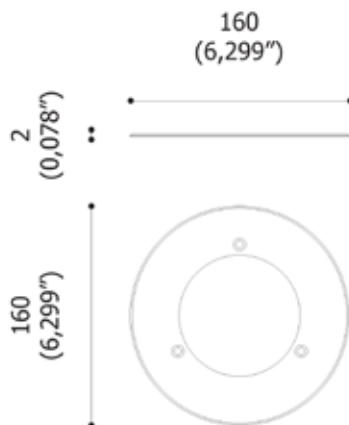
draining recessing box



#### ACCESSORIES:

##### ACC.0203.0

satin stainless steel round frame for  
driveover version



##### ACC.0215.0

satin stainless steel square frame for  
walkover version

