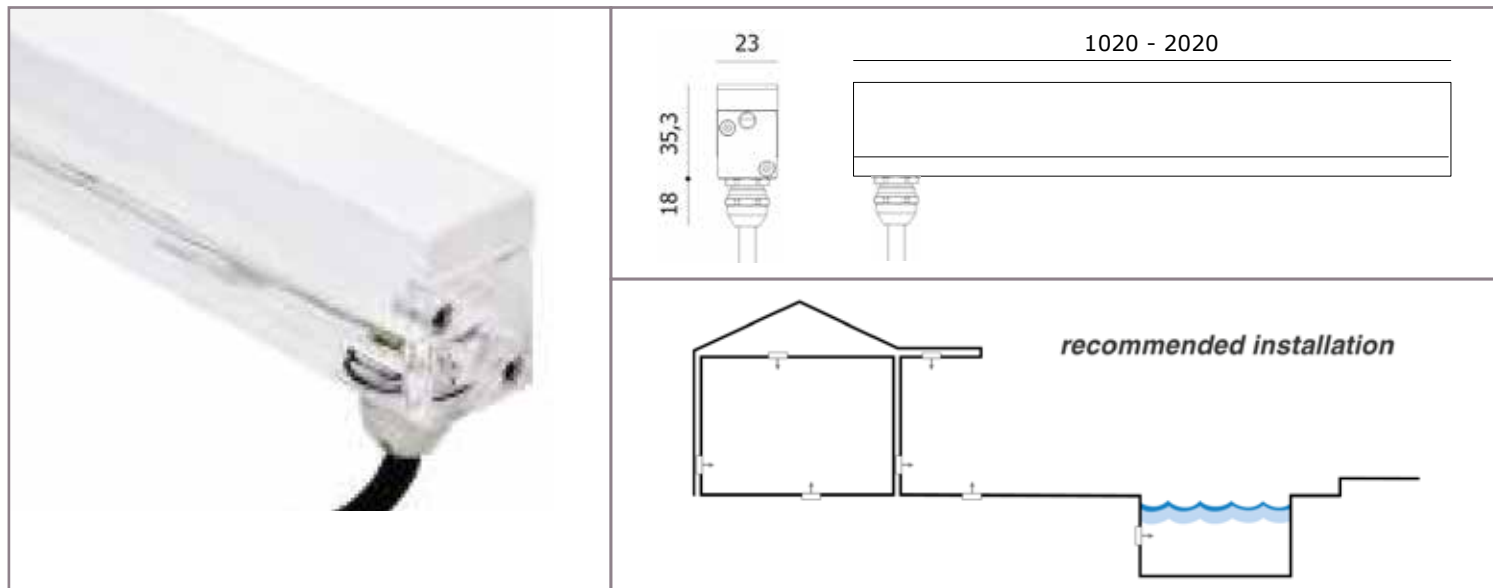


LF07 MONOCHROMATIC DATA-SHEET



TECHNICALS FEATURES:

Materials	PMMA ; aluminium
Power Supply	24 Vdc constant voltage ($\pm 5\%$)
Power	10 W (1020 mm) ; 20 W (2020 mm)
Luminous flux	500 lm/m
Light Source	Mid Power LED
Pitch	8,3 mm
Colour Temperature	3000 K ; 4000 K
Lifetime	> 30000 h
Screen	opal PMMA
Tc body	< 90 °C
Ta operating temperature	- 20 ÷ 50 °C
Ts surface temperature	≤ 65 °C
Functions	On/Off ; dimmable
Cable	AWM style 20233 2xAWG18 (0,75mm ²) (Red;Black) \varnothing 5,2 mm L. 1 m.
Weigth	1900 g/m
Installations	recessed (wall, floor, ceiling)
Norms	60598-1 ; 60598-2 and its parts



NOTE:

Power supplies, control&dimming devices and fixing kits must to be orderd separately. Aldabra power supply consumption is equal to 15% of the fixture nominal power.
Photometric data available at www.aldabra.it

LF07 MONOCHROMATIC DATA-SHEET

GENERAL FEATURES:

	power (W)	length (mm)
LF07.01.XXXXX.X	10	1020
LF07.02.XXXXX.X	20	2020

OPTICAL FEATURES:

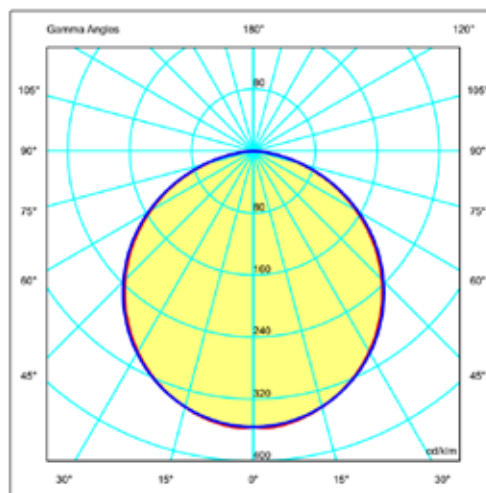
LF07.XX. D XXXX.X	Opal diffuser
--------------------------	---------------

LED FEATURES:

	Mid Power LED
LF07.XX.X 30 XX.X	3000 K warm white
LF07.XX.X 40 XX.X	4000 K neutral white

FINISHES FEATURES:

LF07.XX.XXX P1 .X	PMMA
--------------------------	------



Opal diffuser

GENERAL INFORMATIONS:

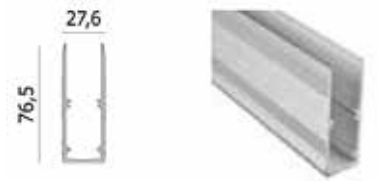
Kindly note that atmospheric agents (such as lightnings, etc) , electrostatics charges or disturbances on the installation not caused by Aldabra lighting fixtures and Led drivers indicated by Aldabra itself, may cause damages on the fixtures. It is necessary that the electrical installation where the LED lighting fittings and their power supply units and control gears are installed must be equipped with proper devices for the protection and suppression of transient phenomena (SPD, isolation transformer, etc...). Such devices must to be coordinated with the other protections of the installation; on this theme, it's necessary to refer to the electrical installations norms which are in force in each country.

LF07 MONOCHROMATIC DATA-SHEET

RECESSING BOXES:

Type A - anodized aluminium

- CSF.0046.0** trimless recessing box (type A) 1020 mm
CSF.0048.0 trimless recessing box (type A) 2020 mm



Type B - anodized aluminium

- CSF.0050.0** recessing box with trim (type B) 1020 mm
CSF.0052.0 recessing box with trim (type B) 2020 mm



*In case of use of ACC.0061.0, special housings box with suitable dimensions must be requested

ACCESSORIES:

ACC.0061.0*

opal fixing kit for anti-vandal and drive-over applications



ACC.0060.0

couple of end caps for recessing box



ACC.0003.0

alignment kit for housing boxes type A and B



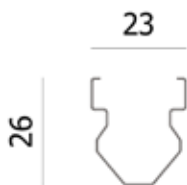
ACC.0062.0

plug connector for continuous line - only for indoor applications

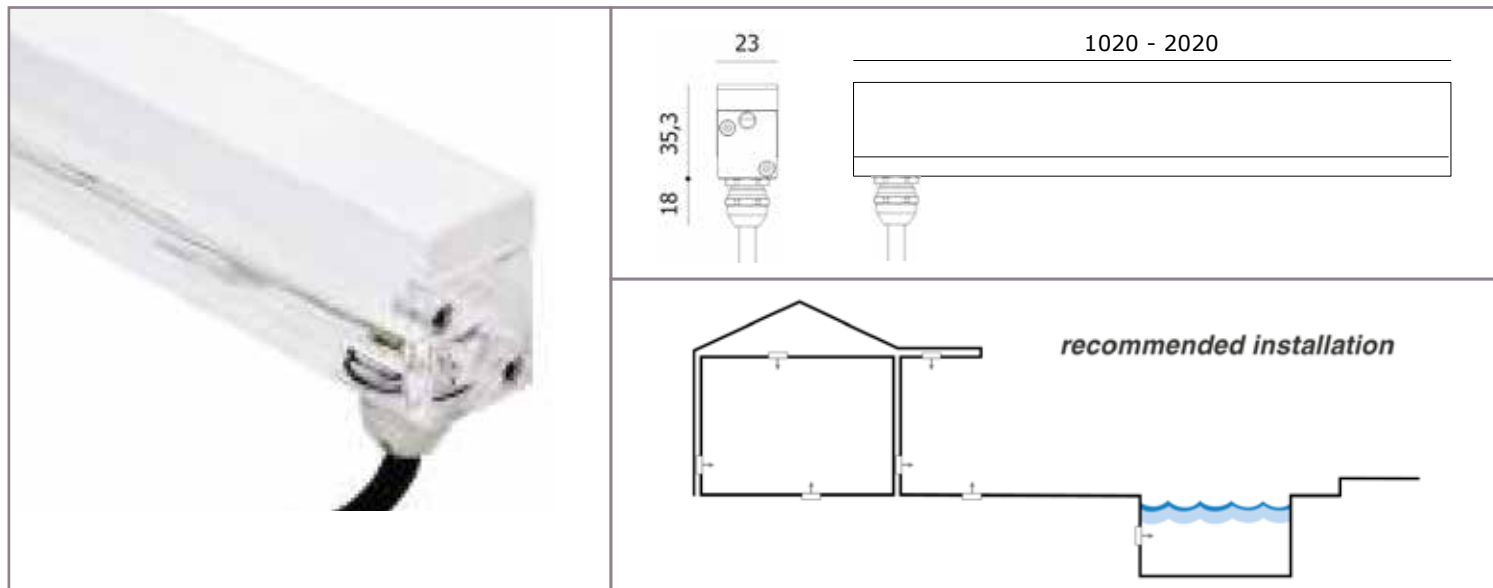


ACC.0074.0

fixing spring



LF07 RGB DATA-SHEET



TECHNICALS FEATURES:

Materials	PMMA ; aluminium
Power Supply	24 Vdc constant voltage (±5%)
Power	18 W (1020 mm) ; 36 W (2020 mm)
Light Source	Signal LED RGB
Pitch	16,7 mm
Dominant Wavelength (nm)	R=625 , G=525 , B=470
Lifetime	> 30000 h
Screen	Opal PMMA
Tc body	< 90 °C
Ta operating temperature	- 20 ÷ 50 °C
Ts surface temperature	≤ 65 °C
Functions	On/Off ; dimmable
Cable	AWM style 20233 1xAWG18 (0,75mm ²) (Red) + 3xAWG20 (0,5mm ²) (R/b, G/b, B/b) Ø 6,5 mm L. 1 m.
Weigth	1900 g/m
Installations	Recessed (wall, floor, ceiling)
Norms	60598-1 ; 60598-2 and its parts



NOTE:

Power supplies, control&dimming devices and fixing kits must to be orderd separately. Aldabra power supply consumption is equal to 15% of the fixture nominal power.
Photometric data available at www.aldabra.it



LF07 RGB DATA-SHEET

GENERAL FEATURES:

	power (W)	length (mm)
LF07.01.XXXXX.X	18	1020
LF07.02.XXXXX.X	36	2020

OPTICAL FEATURES:

LF07.XX.DXXXX.X	Opal diffuser
-----------------	---------------

LED FEATURES:

	Signal LED
LF07.XX.X90XX.X	R, G, B

FINISHES FEATURES:

LF07.XX.XXXP1.X	Anodized aluminium
-----------------	--------------------

GENERAL INFORMATIONS:

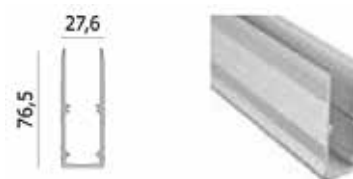
Kindly note that atmospheric agents (such as lightnings, etc) , electrostatics charges or disturbances on the installation not caused by Aldabra lighting fixtures and Led drivers indicated by Aldabra itself, may cause damages on the fixtures. It is necessary that the electrical installation where the LED lighting fittings and their power supply units and control gears are installed must be equipped with proper devices for the protection and suppression of transient phenomena (SPD, isolation transformer, etc...). Such devices must to be coordinated with the other protections of the installation; on this theme, it's necessary to refer to the electrical installations norms which are in force in each country.

LF07 RGB DATA-SHEET

RECESSING BOXES:

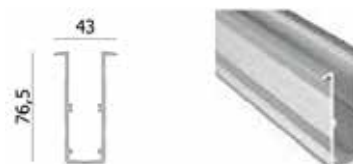
Type A - anodized aluminium

- CSF.0046.0** trimless recessing box (type A) 1020 mm
- CSF.0048.0** trimless recessing box (type A) 2020 mm



Type B - anodized aluminium

- CSF.0050.0** recessing box with trim (type B) 1020 mm
- CSF.0052.0** recessing box with trim (type B) 2020 mm



*In case of use of ACC.0061.0, special housings box with suitable dimensions must be requested

ACCESSORIES:

ACC.0061.0*

opal fixing kit for anti-vandal and drive-over applications



ACC.0060.0

couple of end caps for recessing box



ACC.0003.0

alignment kit for housing boxes type A and B



ACC.0062.0

plug connector for continuous line - only for indoor applications



ACC.0074.0

fixing spring

