

YOR Monochromatic

Power LED 350-500 mA

ALDABRA
LUCE CONTEMPORANEA

Submittal

Project: _____ Data: _____
 Product Type: _____ Product Code: _____
 Ordering Info: _____



Product Description

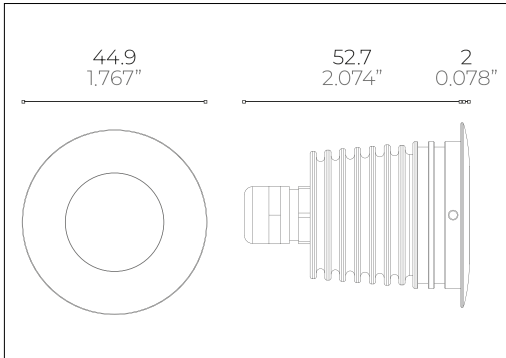
Professional fixed recessed lighting luminaire without visible screws, suitable for outdoor, indoor and underwater environments. Made of AISI 316L stainless steel, tempered glass screen and anti-glare louver.



Light Source

Light Source	Power LED LM 80 COMPLIANT
Colour Temperature ¹	2700K; 3000K; 4000K
Power	1 - 1,5 W
Colour Rendering Index	> 90
Chromatic Selection	Mac Adam 2-Step
Light Source Efficiency	lm/W
Fixture Luminous Flux	lm
Central Beam Candle Power (CBCP)	—
LED Type	—

Technical Drawing



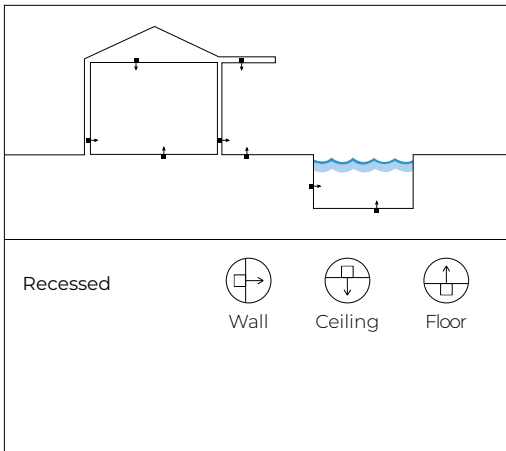
Power Supply

Voltage	350 - 500 mA
Dimming	PWM
Dimming Systems Compatibility	0-10V; 1-10V; DALI; DMX
Driver	Remote

Fixture

Materials	Stainless Steel AISI 316L
Body Finishes ¹	Satin Stainless Steel
Weight	235 g (0.518 lb)
Power Supply Cable	1m (3,28ft) - 2xAWG18 (Red;Black)
Optics ¹	Narrow 9°; Medium 24°; Wide 43°
Diffusers	Satin; Transparent
Screens	—

Installation



Temperature and Durability

LED Lifetime T _a 25°C	> 50000 h (TM21 L80 B10 @50000 h)
Fixture Lifetime	> 50000 h
T _a Performance	25°C (77°F)
T _a Operative	-30 ÷ 50 °C (-22 ÷ 122 °F)
Body Temperature	< 90 °C (194 °F)
Surface Temperature	≤ 65 °C (149 °F)

Installation

Electrical Insulation Class	III
IP Protection Degrees	IP66; IP68
Impact Resistance	IK10
Driveability	—
Walkability	300 kg (660 lb)
Certifications	CE; UL listed
Normative	EN60598-1; EN60598-2 and its parts; UL 676; CSA C222 No. 89-15; UL 2108; UL 1598/C250-08

! Note: contact the factory for custom CCT, optics, finishes and lengths



960°C

AQA STOP FLEX

A A+ A++

Note:

- Power supplies, control&dimming devices and fixing kits must to be orderd separately. - Aldabra power supply consumption is equal to 15% of the fixture nominal power.
 - Specifications are subject to change without notice. - Photometric data available at www.aldabra.it - Aldabra, all rights reserved.

Part Number

example: YOR.01.W30.S1.0



Length & Power ¹

- YOR.01** Ø 44,9 x 61,4 mm - 1 - 1,5 W
- Ø 1.767" x 2.417" - 1 - 1,5 W

Optical Features ¹

- M** Optics 9°
- F** Optics 24°
- W** Optics 43°
- S** Satin Diffuser
- T** Transparent Diffuser

CCT ¹

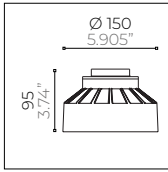
- 27** 2700K
- 30** 3000K
- 40** 4000K

Finishes ¹

- S1.0** Satin Stainless Steel

Notes: _____

Recessing Box

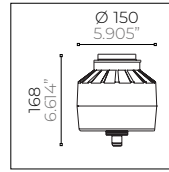


Type A Draining Recessing Box



- CSF.0035.0**

Ø 150 x 95 mm
Ø 5.905" x 3.74"

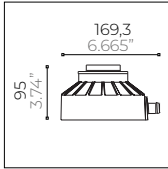


Type B Recessing Box for IP68



- CSF.0036.0**

Ø 150 x 168 mm
Ø 5.905" x 6.614"



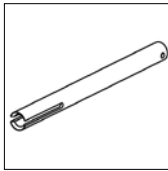
Type C Recessing Box for IP68



- CSF.0037.0**

Ø 169.3 x 95 mm
Ø 6.665" x 3.74"

Installation Accessories



- ACC.0268.0**
Closing tool for IP68 housing box

Generic Accessories



- ACC.0005.0**
IP68 Waterproof connection box with gel
4 channels - 3 poles

General Informations:

Kindly note that atmospheric agents (such as lightnings, etc), electrostatics charges or disturbances on the installation not caused by Aldabra lighting fixtures and Led drivers indicated by Aldabra itself, may cause damages on the fixtures. It is necessary that the electrical installation where the LED lighting fittings and their power supply units and control gears are installed must be equipped with proper devices for the protection and suppression of transient phenomena (SPD, isolation transformer, etc...). Such devices must be coordinated with the other protections of the installation; on this theme, it's necessary to refer to the electrical installations norms which are in force in each country.