

STAR 120 RGBW

Power LED 24 Vdc

ALDABRA
LUCE CONTEMPORANEA

Submittal

Project: _____ Data: _____
 Product Type: _____ Product Code: _____
 Ordering Info: _____



Product Description

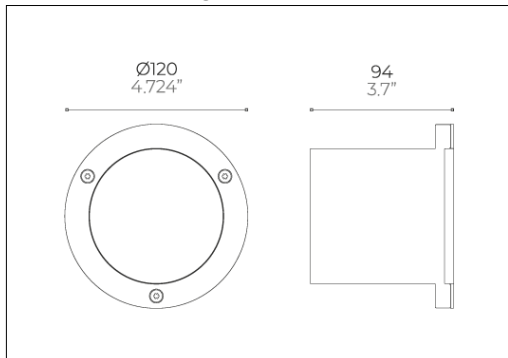
Professional fixed recessed luminaire suitable for indoor and outdoor applications. Designed for floor mounting and ideal for accent lighting. Made of aluminum, stainless steel and tempered glass with a satin stainless steel finish. Equipped with COB LEDs, offering narrow, medium and wide beam options.



Light Source

Light Source	Power LED LM 80 COMPLIANT
Colour Temperature ¹	RGBW
Power	18 W
Colour Rendering Index	> 90
Chromatic Selection	Mac Adam 3-Step
Light Source Efficiency	lm/W
Fixture Luminous Flux	lm
Central Beam Candle Power (CBCP)	—
LED Type	—

Technical Drawing



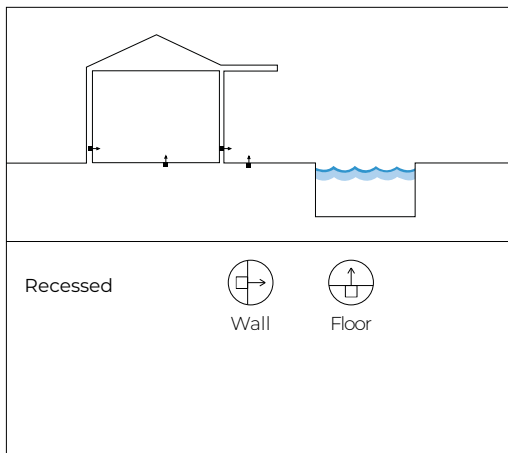
Power Supply

Voltage	24 Vdc Costant Voltage
Dimming	PWM
Control Systems Compatibility	DALI; DMX
Driver	Remote

Fixture

Materials	Stainless Steel AISI 316L; Anticorodal Aluminium Alloy EN AW 6060; Glass
Body Finishes ¹	Satin Stainless Steel
Weight	1800 g (3.968 lb)
Power Supply Cable	1m (3,28ft) - 2xAWG18 (Red; Black) + 3xAWG20 (R/b; G/b; B/b)
Optics ¹	Narrow 15°; Medium 27°; Wide 37°
Diffusers	—
Screens	—

Installation



Temperature and Durability

LED Lifetime T ₈₀ 25°C	> 50000 h (TM21 L80 B10 @50000 h)
Fixture Lifetime	> 50000 h
T _a Performance	25°C (77°F)
T _a Operative	-30 ÷ 50 °C (-22 ÷ 122 °F)
Body Temperature	< 90 °C (194 °F)
Surface Temperature	≤ 65 °C (149 °F)

Installation

Electrical Insulation Class	III
IP Protection Degrees	IP66/IP67
Impact Resistance	IK08
Driveability	5000 Kg
Walkability	300 Kg
Certifications	CE/ UL Listed
Normative	EN60598-1; EN60598-2 and its parts; UL 676; CSA C222 No. 89-15; UL 2108; UL 1598/C250-08

! Note: contact the factory for custom CCT, optics, finishes and lengths



960°C

AQA FLEX STOP

A A+ A++

Note:

- Power supplies, control&dimming devices and fixing kits must to be orderd separately. - Aldabra power supply consumption is equal to 15% of the fixture nominal power.
 - Specifications are subject to change without notice. - Photometric data available at www.aldabra.it - Aldabra, all rights reserved.

STAR 120 RGBW

Power LED 24 Vdc

ALDABRA
LUCI CONTEMPORANEA

Part Number

example: **STA.03.F91SI.0**



Dimensions & Power ¹

- STA.03** Ø 120 x 94 mm - 18 W
Ø 4.724" x 3.7" - 18 W

Optical Features ¹

- M** Narrow Beam 15°
 F Medium Beam 27°
 W Wide Beam 37°

CCT ¹

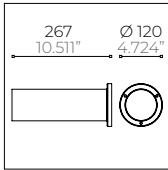
- 91** RGBW

Finishes ¹

- S1.0** Satin Stainless Steel

Notes: _____

Recessing Box



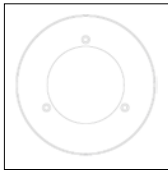
Type A Draining Recessing Box



- CSF.0107.0**

Ø 120 x 267 mm
Ø 4.724" x 10.511"

Dedicated Accessories



- ACC.0203.0**
Satin stainless steel round
frame for drive-over version

Generic Accessories



- ACC.0005.0**
IP68 Waterproof connection
box with gel
4 channels - 3 poles

General Informations:

Kindly note that atmospheric agents (such as lightnings, etc), electrostatics charges or disturbances on the installation not caused by Aldabra lighting fixtures and Led drivers indicated by Aldabra itself, may cause damages on the fixtures. It is necessary that the electrical installation where the LED lighting fittings and their power supply units and control gears are installed must be equipped with proper devices for the protection and suppression of transient phenomena (SPD, isolation transformer, etc...). Such devices must be coordinated with the other protections of the installation; on this theme, it's necessary to refer to the electrical installations norms which are in force in each country.