

# STAR 120 RGB

Power LED 24 Vdc

**ALDABRA**  
LUCE CONTEMPORANEA

## Submittal

Project: \_\_\_\_\_ Data: \_\_\_\_\_  
 Product Type: \_\_\_\_\_ Product Code: \_\_\_\_\_  
 Ordering Info: \_\_\_\_\_



## Product Description

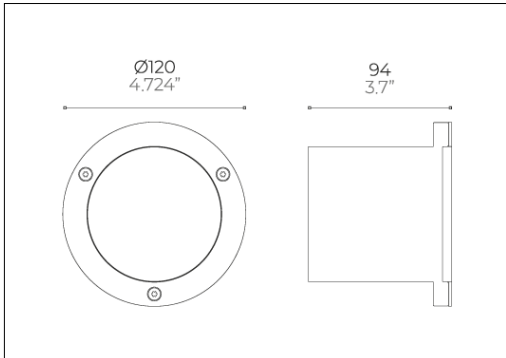
Professional fixed recessed luminaire suitable for indoor and outdoor applications. Designed for floor mounting and ideal for accent lighting. Made of aluminum, stainless steel and tempered glass with a satin stainless steel finish. Equipped with COB LEDs, offering narrow, medium and wide beam options.



## Light Source

|                                  |                           |
|----------------------------------|---------------------------|
| Light Source                     | Power LED LM 80 COMPLIANT |
| Colour Temperature <sup>1</sup>  | RGB                       |
| Power                            | 14 W                      |
| Colour Rendering Index           | > 90                      |
| Chromatic Selection              | Mac Adam 3-Step           |
| Light Source Efficiency          | lm/W                      |
| Fixture Luminous Flux            | lm                        |
| Central Beam Candle Power (CBCP) | _____                     |
| LED Type                         | _____                     |

## Technical Drawing



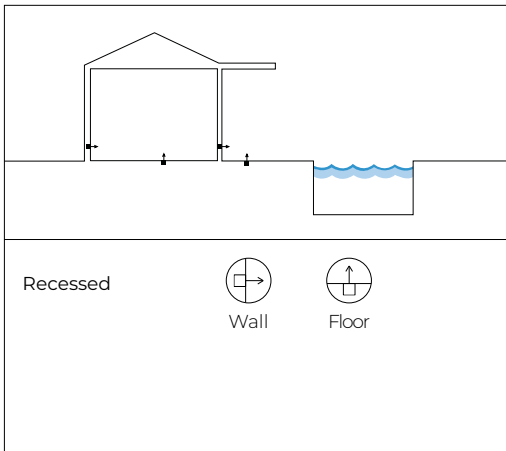
## Power Supply

|                               |                        |
|-------------------------------|------------------------|
| Voltage                       | 24 Vdc Costant Voltage |
| Dimming                       | PWM                    |
| Control Systems Compatibility | DALI; DMX              |
| Driver                        | Remote                 |

## Fixture

|                            |  |
|----------------------------|--|
| Materials                  | Stainless Steel AISI 316L; Anticorodal Aluminium Alloy EN AW 6060; Glass |
| Body Finishes <sup>1</sup> | Satin Stainless Steel  |
| Weight                     | 1800 g (3.968 lb)  |
| Power Supply Cable         | 1m (3,28ft) - 2xAWG18 (Red; Black) + 3xAWG20 (R/b; G/b; B/b)             |
| Optics <sup>1</sup>        | Narrow 15°; Medium 27°; Wide 37°   |
| Diffusers                  | _____  |
| Screens                    | _____  |

## Installation



## Temperature and Durability

|                                   |                                   |
|-----------------------------------|-----------------------------------|
| LED Lifetime T <sub>80</sub> 25°C | > 50000 h (TM21 L80 B10 @50000 h) |
| Fixture Lifetime                  | > 50000 h                         |
| T <sub>80</sub> Performance       | 25°C (77°F)                       |
| T <sub>80</sub> Operative         | -30 ÷ 50 °C (-22 ÷ 122 °F)        |
| Body Temperature                  | < 90 °C (194 °F)                  |
| Surface Temperature               | ≤ 65 °C (149 °F)                  |

## Installation

|                             |  |
|-----------------------------|--|
| Electrical Insulation Class | III  |
| IP Protection Degrees       | IP66/IP67  |
| Impact Resistance           | IK08   |
| Driveability                | 5000 Kg  |
| Walkability                 | 300 Kg   |
| Certifications              | CE/ UL Listed  |
| Normative                   | EN60598-1; EN60598-2 and its parts; UL 676; CSA C222 No. 89-15; UL 2108; UL 1598/C250-08 |

**!** Note: contact the factory for custom CCT, optics, finishes and lengths



960°C

AQA FLEX STOP

A A+ A++

## Note:

- Power supplies, control&dimming devices and fixing kits must to be orderd separately. - Aldabra power supply consumption is equal to 15% of the fixture nominal power.  
 - Specifications are subject to change without notice. - Photometric data available at [www.aldabra.it](http://www.aldabra.it) - Aldabra, all rights reserved.

# STAR 120 RGB

Power LED 24 Vdc

**ALDABRA**  
L U C E C O N T E M P O R A N E A

## Part Number

example: **STA.03.F90SI.0**



### Dimensions & Power <sup>1</sup>

- STA.03** Ø 120 x 94 mm - 14 W  
Ø 4.724" x 3.7" - 14 W

### Optical Features <sup>1</sup>

- M** Narrow Beam 15°  
 **F** Medium Beam 27°  
 **W** Wide Beam 37°

### CCT <sup>1</sup>

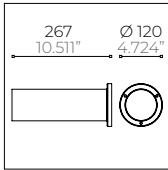
- 90** RGB

### Finishes <sup>1</sup>

- SI.0** Satin Stainless Steel

Notes: \_\_\_\_\_

## Recessing Box



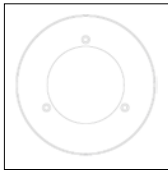
### Type A Draining Recessing Box



- CSF.0107.0**

Ø 120 x 267 mm  
Ø 4.724" x 10.511"

## Dedicated Accessories



- ACC.0203.0**  
Satin stainless steel round  
frame for drive-over version

## Generic Accessories



- ACC.0005.0**  
IP68 Waterproof connection  
box with gel  
4 channels - 3 poles

## General Informations:

Kindly note that atmospheric agents (such as lightnings, etc), electrostatics charges or disturbances on the installation not caused by Aldabra lighting fixtures and Led drivers indicated by Aldabra itself, may cause damages on the fixtures. It is necessary that the electrical installation where the LED lighting fittings and their power supply units and control gears are installed must be equipped with proper devices for the protection and suppression of transient phenomena (SPD, isolation transformer, etc...). Such devices must be coordinated with the other protections of the installation; on this theme, it's necessary to refer to the electrical installations norms which are in force in each country.