

STAR 120 Monochromatic

COB LED 110-277 Vac

ALDABRA
LUCE CONTEMPORANEA

Submittal

Project: _____ Data: _____
 Product Type: _____ Product Code: _____
 Ordering Info: _____



Product Description

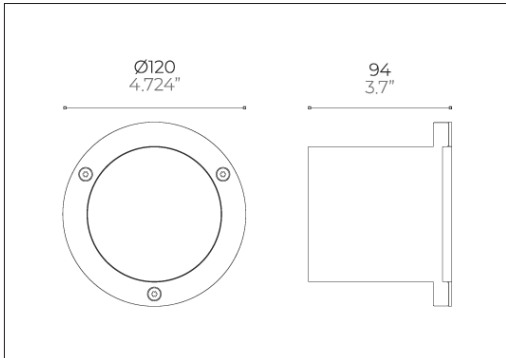
Professional fixed recessed luminaire suitable for indoor and outdoor applications. Designed for floor mounting and ideal for accent lighting. Made of aluminum, stainless steel and tempered glass with a satin stainless steel finish. Equipped with COB LEDs, offering narrow, medium and wide beam options.



Light Source

| | |
|----------------------------------|-----------------|
| Light Source | COB LED |
| Colour Temperature ¹ | 3000K; 4000K |
| Power | 15 W |
| Colour Rendering Index | > 90 |
| Chromatic Selection | Mac Adam 3-Step |
| Light Source Efficiency | lm/W |
| Fixture Luminous Flux | lm |
| Central Beam Candle Power (CBCP) | — |
| LED Type | — |

Technical Drawing



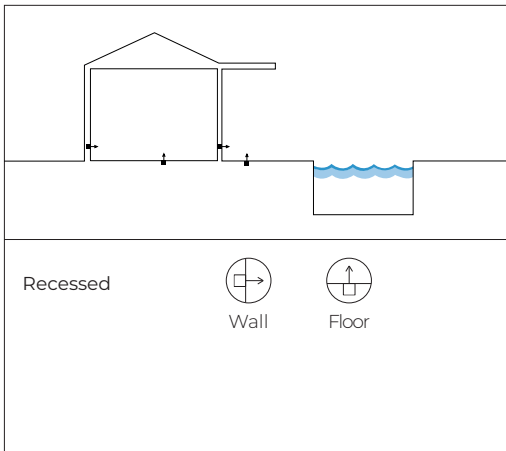
Power Supply

| | |
|-------------------------------|-----------------------------|
| Voltage | 110 - 277 Vac |
| Dimming | PWM |
| Dimming Systems Compatibility | 0 - 10V; 1 - 10V; DALI; DMX |
| Driver | On Board |

Fixture

| | |
|----------------------------|--|
| Materials | Stainless Steel AISI 316L; Anticorodal Aluminium Alloy EN AW 6060; Glass |
| Body Finishes ¹ | Satin Stainless Steel |
| Weight | 1800 g (3.968 lb) |
| Power Supply Cable | 1m (3,28ft) - 3xAWG18 (White; Black; Green) |
| Optics ¹ | Narrow 15°; Medium 27°; Wide 42° |
| Diffusers | — |
| Screens | — |

Installation



Temperature and Durability

| | |
|----------------------------------|-----------------------------------|
| LED Lifetime T ₈ 25°C | > 50000 h (TM21 L80 B10 @50000 h) |
| Fixture Lifetime | > 50000 h |
| T ₈ Performance | 25°C (77°F) |
| T ₈ Operative | -30 ÷ 50 °C (-22 ÷ 122 °F) |
| Body Temperature | < 90 °C (194 °F) |
| Surface Temperature | ≤ 65 °C (149 °F) |

Installation

| | |
|-----------------------------|---|
| Electrical Insulation Class | II |
| IP Protection Degrees | IP66/IP67 |
| Impact Resistance | IK08 |
| Driveability | 5000 Kg |
| Walkability | 300 Kg |
| Certifications | CE/ UL Listed |
| Normative | EN60598-1; EN60598-2 and its parts; UL 676; CSA C222 No.89-15; UL 2108; UL 1598/C250-08 |

! Note: contact the factory for custom CCT, optics, finishes and lengths



960°C

AQA STOP LED

A A+ A++

Note:

- Power supplies, control&dimming devices and fixing kits must be ordered separately. - Aldabra power supply consumption is equal to 15% of the fixture nominal power.
 - Specifications are subject to change without notice. - Photometric data available at www.aldabra.it - Aldabra, all rights reserved.

STAR 120 Monochromatic

COB LED 110-277 Vac

ALDABRA
LUCE CONTEMPORANEA

Part Number

example: **STA.01.F30SI.0**



Dimensions & Power ¹

- STA.01** Ø 120 x 94 mm - 15 W
Ø 4.724" x 3.7" - 15 W

Optical Features ¹

- M** Narrow Beam 15°
 F Medium Beam 27°
 W Wide Beam 42°

CCT ¹

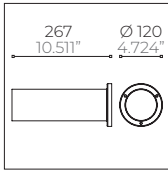
- 30** 3000K
 40 4000K

Finishes ¹

- SI.0** Satin Stainless Steel

Notes: _____

Recessing Box



Type A

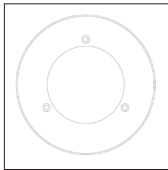
Draining Recessing Box



- CSF.0107.0**

Ø 120 x 267 mm
Ø 4.724" x 10.511"

Dedicated Accessories



- ACC.0203.0**

Satin stainless steel round frame for drive-over version

Generic Accessories



- ACC.0005.0**

IP68 Waterproof connection box with gel
4 channels - 3 poles

General Informations:

Kindly note that atmospheric agents (such as lightnings, etc), electrostatics charges or disturbances on the installation not caused by Aldabra lighting fixtures and Led drivers indicated by Aldabra itself, may cause damages on the fixtures. It is necessary that the electrical installation where the LED lighting fittings and their power supply units and control gears are installed must be equipped with proper devices for the protection and suppression of transient phenomena (SPD, isolation transformer, etc...). Such devices must be coordinated with the other protections of the installation; on this theme, it's necessary to refer to the electrical installations norms which are in force in each country.