

RIGEL Adjustable Monochromatic

Power LED 350-500 mA

ALDABRA
LUCE CONTEMPORANEA

Submittal

Project: _____ Data: _____

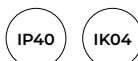
Product Type: _____ Product Code: _____

Ordering Info: _____



Product Description

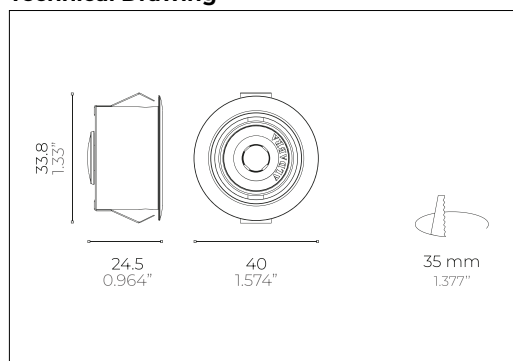
Fixed or adjustable recessed luminaire featuring hybrid optics for high visual comfort, designed for indoor applications. Made of aluminum, available with anodized aluminum or matt white finishes.



Light Source

Light Source	Power LED LM 80 COMPLIANT
Colour Temperature [!]	2700; 3000K; 4000K
Power	1 - 1,5 W
Colour Rendering Index	> 90
Chromatic Selection	Mac Adam 2-Step
Light Source Efficiency	lm/W
Fixture Luminous Flux	lm
Central Beam Candle Power (CBCP)	_____
LED Type	_____

Technical Drawing



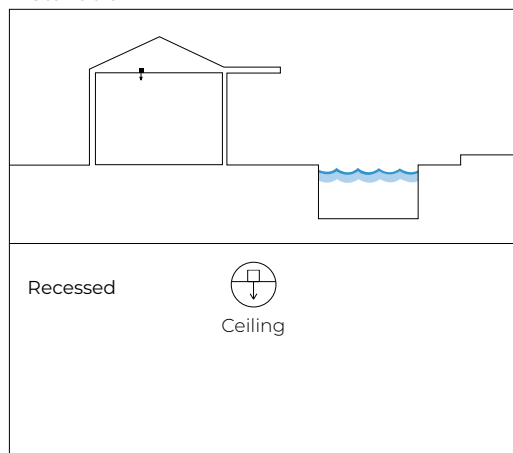
Power Supply

Voltage	350 - 500 mA
Dimming	PWM
Dimming Systems Compatibility	0-10V; 1-10V; DALI; DMX
Driver	Remote

Fixture

Materials	Anticorodal Aluminium Alloy UNI 6060
Body Finishes [!]	Anodized Aluminium; Matt White
Weight	42 g (0.092 lb)
Power Supply Cable	0,5 m (1,64 ft) - 1xAWG20 (Red) + 1xAWG20 (Black)
Optics [!]	Narrow 13°; Wide 35°
Diffusers	_____
Screens	_____

Installation



Temperature and Durability

LED Lifetime T ₈ 25°C	> 50000 h (TM21 L80 B10 @50000 h)
Fixture Lifetime	> 50000 h
T ₈ Performance	25°C (77°F)
T ₈ Operative	-30 ÷ 50 °C (-22 ÷ 122 °F)
Body Temperature	< 90 °C (194 °F)
Surface Temperature	≤ 65 °C (149 °F)

Installation

Electrical Insulation Class	III
IP Protection Degrees	IP40
Impact Resistance	IK04
Driveability	_____
Walkability	_____
Certifications	CE; UL listed
Normative	EN60598-1; EN60598-2 and its parts; UL 676; CSA C222 No.89-15; UL 2108; UL 1598/C250-08

[!] Note: contact the factory for custom CCT, optics, finishes and lengths



650°C



Note:

- Power supplies, control&dimming devices and fixing kits must be ordered separately. - Aldabra power supply consumption is equal to 15% of the fixture nominal power. - Specifications are subject to change without notice. - Photometric data available at www.aldabra.it - Aldabra, all rights reserved.

RIGEL Adjustable Monochromatic

Power LED 350-500 mA

ALDABRA
LUCE CONTEMPORANEA

Part Number

example: **RIG.02.F27.S2.0**



Length & Power ¹

- RIG.02** Ø40 x 24.5 mm - 1 - 1,5 W
Ø1.574" x 0.964" - 1 - 1,5 W

Optical Features ¹

- M** Narrow Optic 13°
 W Wide Optic 35°

CCT ¹

- 27** 2700K
 30 3000K
 40 4000K

Finishes ¹

- A1.0** Anodized Aluminium
 W1.0 Matt White

Notes: _____

General Informations:

Kindly note that atmospheric agents (such as lightnings, etc), electrostatics charges or disturbances on the installation not caused by Aldabra lighting fixtures and Led drivers indicated by Aldabra itself, may cause damages on the fixtures. It is necessary that the electrical installation where the LED lighting fittings and their power supply units and control gears are installed must be equipped with proper devices for the protection and suppression of transient phenomena (SPD, isolation transformer, etc...). Such devices must be coordinated with the other protections of the installation; on this theme, it's necessary to refer to the electrical installations norms which are in force in each country.