

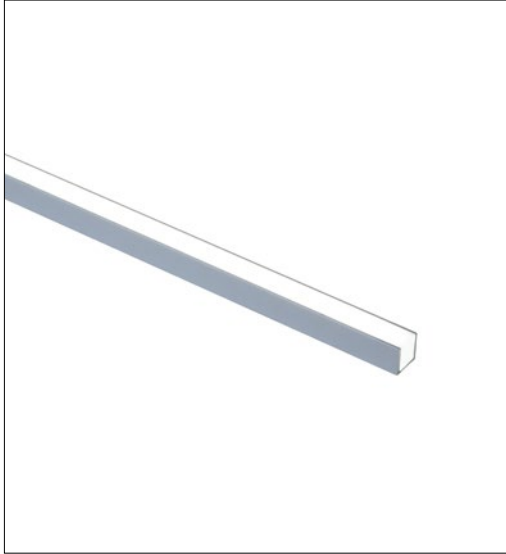
MICRO 8 - DWS

Mid Power LED 24 Vdc - Pitch 8,3 mm

ALDABRA
LUCE CONTEMPORANEA

Submittal

Project: _____ Date: _____
 Product Type: _____ Product Code: _____
 Ordering Info: _____



Product Description

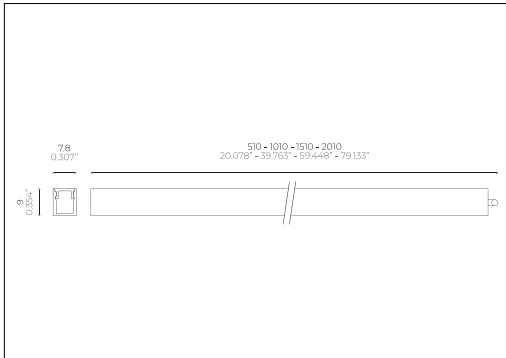
Professional linear lighting systems suitable for indoor spaces, with extremely compact sizes of 8, 10, and 16 mm, available in both direct and indirect lighting. Ideal for. Easy to install with the fastening springs. The Micro range is made of aluminum and polycarbonate, available in natural anodized finishes.



Light Source

Light Source	Mid Power LED LM 80 COMPLIANT
Colour Temperature (CCT) !	DWS - Tunable White (2700K/6000K)
Pitch	8,3 mm (0.326")
Cutting Pitch	50 mm (1.968")
Power	10 W/m (3.05 W/ft)
Colour Rendering Index	> 90
Chromatic Selection	Mac Adam 2-Step
Light Source Efficiency	lm/W
Fixture Luminous Flux	lm/m (lm/ft)
LED Type	_____

Technical Drawing



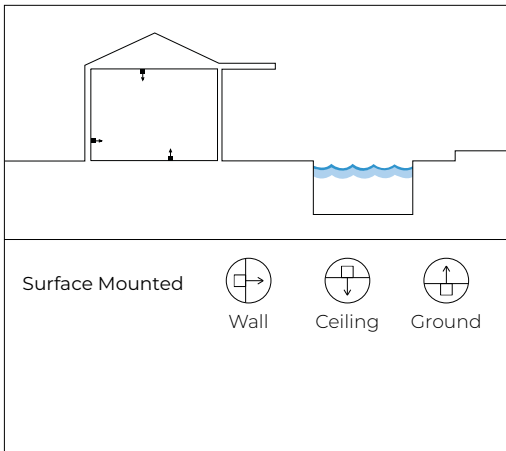
Power Supply

Voltage	24 Vdc Constant Voltage
Dimming	PWM
Control Systems Compatibility	DALI; DMX
Driver	Remote

Fixture

Materials	Aluminium Anticorodal EN AW-6060; Polycarbonate
Body Finishes !	Anodized Aluminium
Weight	g/m (lb/ft)
Power Supply Cable	1m (3,28ft) - 2xAWG18 (Red;Black) + 1xAWG20 (Violet)
Optics !	_____
Diffusers	Opal
Screens	_____

Installations



Temperature and Durability

LED Lifetime T_a 25°C	> 50000 h (TM21 L80 B10 @50000 h)
Fixture Lifetime	> 50000 h
T_a Performance	25°C (77°F)
T_a Operative	-30 ÷ 50 °C (-22 ÷ 122 °F)
Body Temperature	< 90 °C (194 °F)
Surface Temperature	≤ 65 °C (149 °F)

Installation

Electrical Insulation Class	III
IP Protection Degrees	IP40
Impact Resistance	IK05
Driveability	_____
Walkability	_____
Certifications	CE
Normative	EN60598-1; EN60598-2 and its parts

! Note: contact the factory for custom CCT, optics, finishes and lengths



750°C



Note:

- Power supplies, control&dimming devices and fixing kits must be orderd separately. - Aldabra power supply consumption is equal to 15% of the fixture nominal power.
 - Specifications are subject to change without notice. - Photometric data available at www.aldabra.it - Aldabra, all rights reserved.

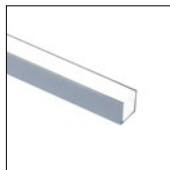
MICRO 8 - DWS

Mid Power LED 24 Vdc - Pitch 8,3 mm

ALDABRA
L U C E C O N T E M P O R A N E A

Part Number

example: **MIC.43.D98A1.0**



Length & Power ¹

- MIC.41** 510 mm / 1,67 ft - 5 W
- MIC.42** 1010 mm / 3,31 ft - 10 W
- MIC.43** 1510 mm / 4,95 ft - 15 W
- MIC.44** 2010 mm / 6,59 ft - 20 W

Optical Features ¹

- .D** Opal Diffuser

CCT ¹

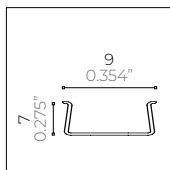
- 98** DWS

Finishes ¹

- A1.0** Anodized Aluminium

Notes: _____

Installation Accessories



- ACC.0373.0**
Fixing Springs
for Filo 8 - Micro 8
- 10 pieces package

General Informations:

Kindly note that atmospheric agents (such as lightnings, etc), electrostatics charges or disturbances on the installation not caused by Aldabra lighting fixtures and Led drivers indicated by Aldabra itself, may cause damages on the fixtures. It is necessary that the electrical installation where the LED lighting fittings and their power supply units and control gears are installed must be equipped with proper devices for the protection and suppression of transient phenomena (SPD, isolation transformer, etc...). Such devices must be coordinated with the other protections of the installation; on this theme, it's necessary to refer to the electrical installations norms which are in force in each country.