

# AZIMUT 48 - Monochromatic

High Power LED 110 - 240 Vac

**ALDABRA**  
LUCE CONTEMPORANEA

## Submittal

Project: \_\_\_\_\_ Data: \_\_\_\_\_  
 Product Type: \_\_\_\_\_ Product Code: \_\_\_\_\_  
 Ordering Info: \_\_\_\_\_



## Product Description

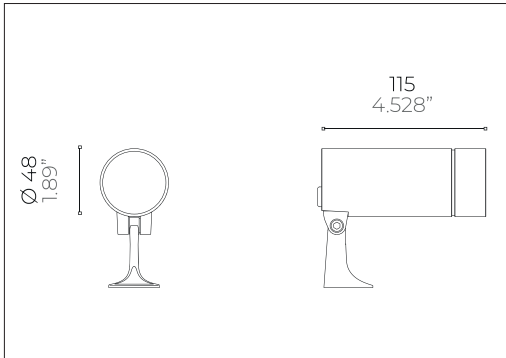
Professional floodlights for direct and indirect lighting. Suitable for wall, floor or ceiling installations with integrated adjustable bracket. Made of painted aluminum and nanopolymer resin that ensures a complete waterproofing.



## Light Source

Light Source	High Power LED LM 80 COMPLIANT
Colour Temperature <sup>!</sup>	3000K; 4000K
Power	7 W
Colour Rendering Index	> 90
Chromatic Selection	Mac Adam 2-Step
Light Source Efficiency	lm/W
Fixture Luminous Flux	lm
Central Beam Candle Power (CBCP)	_____
LED Type	_____

## Technical Drawing



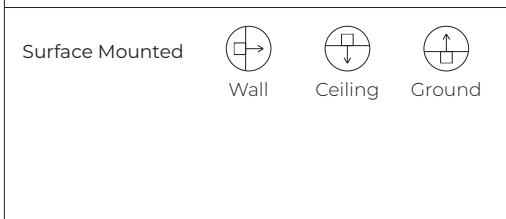
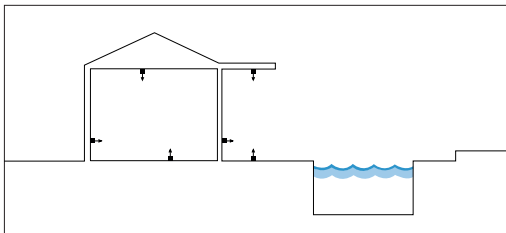
## Power Supply

Voltage	110 - 240 Vac
Dimming	PWM
Dimming Systems Compatibility	0-10V; 1-10V; DALI; DMX
Driver	On Board

## Fixture

Materials	Anticorodal Aluminium Alloy UNI 6060
Body Finishes <sup>!</sup>	Black Sablè; White Sablè
Weight	390 g (0.86 lb)
Power Supply Cable	1m (3,28ft) - 3xAWG18 (Red; Black; Green)
Optics <sup>!</sup>	Narrow 10°; Medium 30°
Diffusers	_____
Screens	_____

## Installation



## Temperature and Durability

LED Lifetime T <sub>8</sub> 25°C	> 50000 h (TM21 L80 B10 @50000 h)
Fixture Lifetime	> 50000 h
T <sub>8</sub> Performance	25°C (77°F)
T <sub>8</sub> Operative	-30 ÷ 50 °C (-22 ÷ 122 °F)
Body Temperature	< 90 °C (194 °F)
Surface Temperature	≤ 65 °C (149 °F)

## Installation

Electrical Insulation Class	I
IP Protection Degrees	IP65
Impact Resistance	IK05
Driveability	_____
Walkability	_____
Certifications	CE; UL listed
Normative	EN60598-1; EN60598-2 and its parts; UL 676; CSA C222 No. 89-15; UL 2108; UL 1598/C250-08

<sup>!</sup> Note: contact the factory for custom CCT, optics, finishes and lengths



960°C

AQA STOPLEX

A A+ A++

**Note:**  
 - Power supplies, control&dimming devices and fixing kits must be ordered separately. - Aldabra power supply consumption is equal to 15% of the fixture nominal power.  
 - Specifications are subject to change without notice. - Photometric data available at [www.aldabra.it](http://www.aldabra.it) - Aldabra, all rights reserved.

# AZIMUT 48 - Monochromatic

High Power LED 110 - 240 Vac

**ALDABRA**  
L U C E C O N T E M P O R A N E A

## Part Number

example: **AZI.04.F30.B2.0**



### Length & Power <sup>1</sup>

- AZI.04** Ø48 x 115 mm - 7 W
- Ø1.89" x 4.528" - 7 W

### Optical Features <sup>1</sup>

- M** Narrow Optic 10°
- F** Medium Optic 30°

### CCT <sup>1</sup>

- 30** 3000K
- 40** 4000K

### Finishes <sup>1</sup>

- B2.0** Black Sablè
- W2.0** White Sablè

Notes: \_\_\_\_\_

## General Informations:

Kindly note that atmospheric agents (such as lightnings, etc), electrostatics charges or disturbances on the installation not caused by Aldabra lighting fixtures and Led drivers indicated by Aldabra itself, may cause damages on the fixtures. It is necessary that the electrical installation where the LED lighting fittings and their power supply units and control gears are installed must be equipped with proper devices for the protection and suppression of transient phenomena (SPD, isolation transformer, etc...). Such devices must be coordinated with the other protections of the installation; on this theme, it's necessary to refer to the electrical installations norms which are in force in each country.