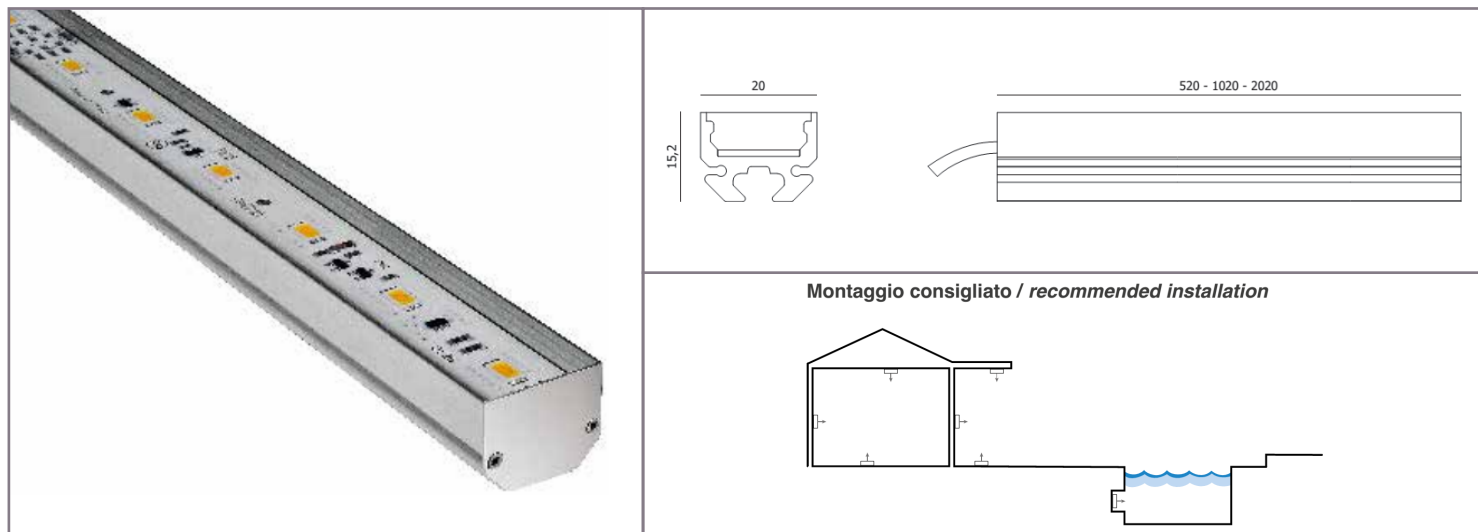


ALMA Mid Power LED Monochromatic DATA-SHEET



PRODUCT DESCRIPTION:

Professional modular linear lighting system for direct and indirect lighting suitable for indoor and outdoor settings. Body finished aluminium anodized, with transparent resin. UV resistance of all materials.

TECHNICALS FEATURES:

Materials	Aluminium alloy extrusion UNI 6060 ; Stainless steel AISI 316L ; Transparent resin
Finishes	Anodized aluminium 20 micron
Power Supply	24 Vdc constant voltage ($\pm 5\%$)
Power	20 W/m
Light Source	Mid Power LED
Pitch	25 mm
Color Temperature	3300 K ; 3700 K ; 5200 K
Ra	> 80
Chromatic Selection	Mac-Adam 3-step
Lifetime	> 50000 h (TM21)
Optics	transparent diffuser 98°
Tc metal body	< 90 °C
Ta operating temperature	- 30 ÷ 50 C°
Functions	On/Off ; dimmable
Cable	AWM style 20233 2xAWG18 (Red;Black)+1xAWG20 (Violet) L. 1 m.
Weigth	830 g/m
Installations	Surface mounted (wall, floor, ceiling)
Norms	60598-1 ; 60598-2 and its parts



NOTE:

Power supplies, control&dimming devices and fixing kits must to be orderd separately. Aldabra power supply consumption is equal to 15% of the fixture nominal power. Photometric data available at www.aldabra.it

ALMA Mid Power LED Monochromatic DATA-SHEET

GENERAL FEATURES:

	power (W)	length (mm)	pitch (mm)
ALM.01.XXXXX.X	10	520	25
ALM.02.XXXXX.X	20	1020	25
ALM.03.XXXXX.X	40	2020	25

OPTICAL FEATURES:

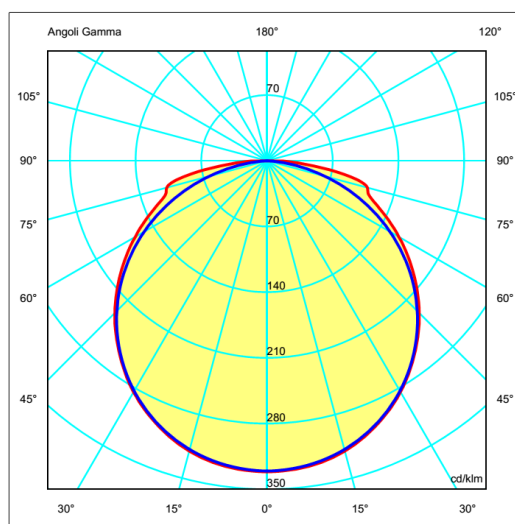
ALM.XX.TXXXX.X	Transparent diffuser 98°
----------------	--------------------------

LED FEATURES:

	Mid Power LED	lm/W	Ra	Chromatic selection
ALM.XX.X33XX.X	3300K warm white	140	>80	MacAdam 3-step
ALM.XX.X37XX.X	3700K neutral white	160	>80	MacAdam 3-step
ALM.XX.X52XX.X	5200K cool white	180	>80	MacAdam 3-step

FINISHES FEATURES:

ALM.XX.XXXA1.X	Anodized aluminium
----------------	--------------------



transparent diffuser 98°

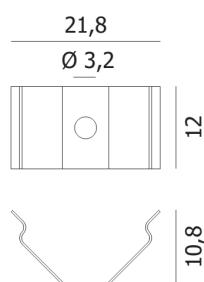
GENERAL INFORMATIONS:

Kindly note that atmospheric agents (such as lightnings, etc) , electrostatics charges or disturbances on the installation not caused by Aldabra lighting fixtures and Led drivers indicated by Aldabra itself, may cause damages on the fixtures. It is necessary that the electrical installation where the LED lighting fittings and their power supply units and control gears are installed must be equipped with proper devices for the protection and suppression of transient phenomena (SPD, isolation transformer, etc...). Such devices must be coordinated with the other protections of the installation; on this theme, it's necessary to refer to the electrical installations norms which are in force in each country.

ALMA Mid Power LED Monochromatic DATA-SHEET

ACCESSORIES:

ACC.0085.0



Advices for springs application

Floor installation

2 springs: 520mm - 1020 mm

3 springs: 1520mm - 2020 mm

Ceiling installation

3 springs: 520mm - 1020 mm

4 springs: 1520mm - 2020 mm

stainless steel fixing spring